



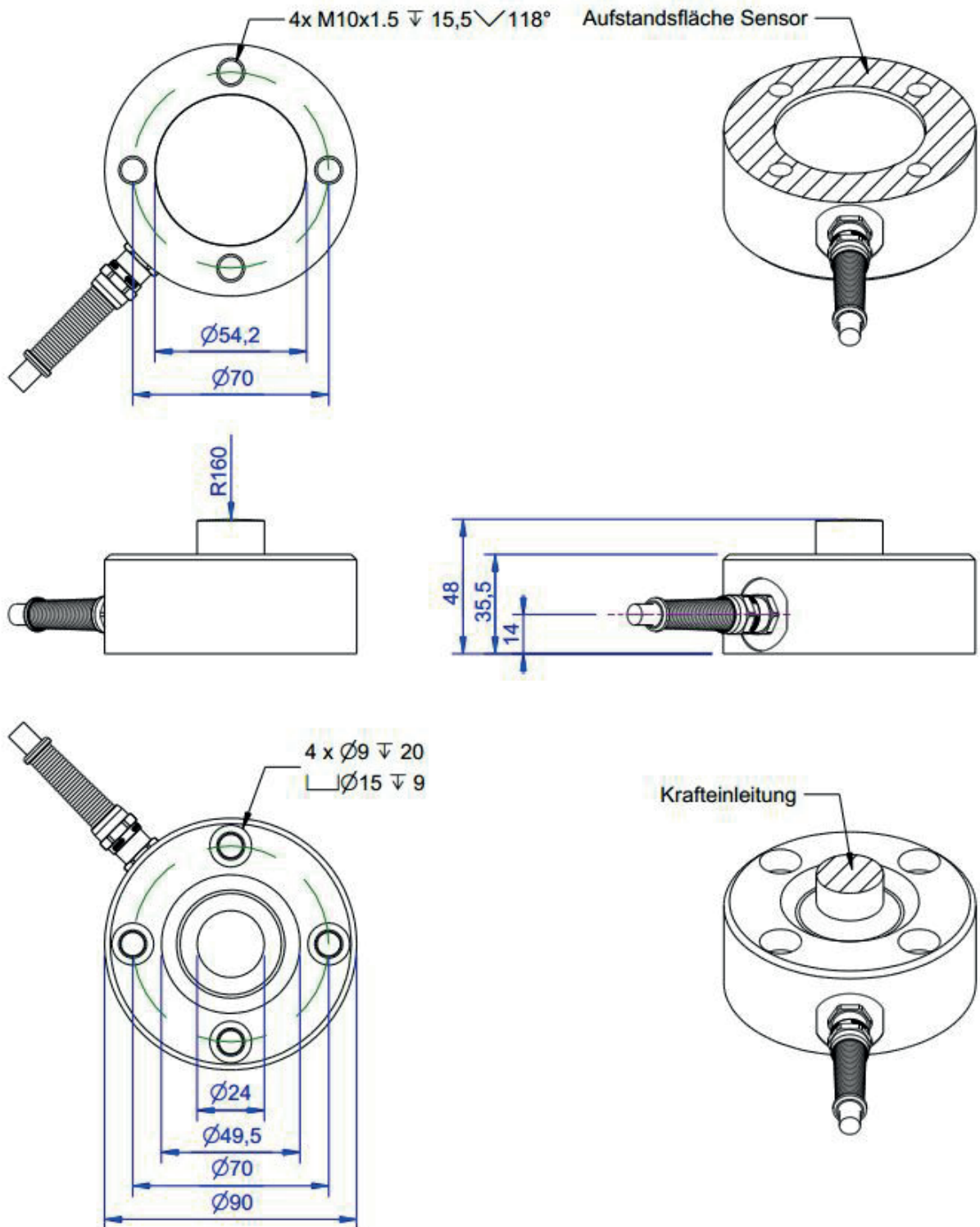
Description

The force sensor KM90 is a membrane-type force sensor for measurement of compressive forces. The force sensor is fastened to an even surface with four screws M12. For force transmission there exists a spherical cap with radius 100 mm.

The force sensor KM90e is a membrane-type force sensor for measurement of compressive forces. The integrated electronic GSV-15L provides an output signal 0...10 Volt or 4-20mA proportional to the applied force on the constructional element. The electronic GSV-15L offers a digital input for automatic zero adjustment, a digital input for autoscale and a digital output as threshold switch.

Environmental protection is IP 67.

Dimensions



Technical Data

Kraftsensoren

Type	Load cell
Force direction	Compression
Force introduction	Load button
Dimension 1	Ø24x12,5
Sensor Fastening	Circular ring
Dimension 2	Ø90x35,8
Operating force	150 %FS
Rated displacement	0.07 mm
Lateral force limit	50 %FS
Material	Stainless steel
Natural frequency	5 kHz
Height	48 mm
Length or Diameter	90 mm

Elektrische Daten

Input resistance	390 Ohm
Tolerance input resistance	40 ±
Output resistance	350 Ohm
Tolerance output resistance	1 ±
Insulation resistance	2x10 ⁹ Ohm
Rated range of excitation voltage f	2.5 ... 5 V
Operating range of excitation voltage f	1 ... 10 V
Zero signal	0.05 mV/V
Rated output	1 mV/V / FS

Precision

Accuracy class	0,5%
Relative linearity error	0.1 %FS
Relative zero signal hysteresis	0.05 %FS
Temperature effect on zero signal	0.02 %FS/K
Temperature effect on characteristic value	0.02 %RD/K
Relative creep	0.1 %FS

Connection Data

Name of the connection	Unitronic FD CP T P Plus / 3x2x0,14
Cable length	3 m

Temperature

Rated temperature range f	-10 ... 70 °C
Operating temperature range f	-10 ... 85 °C
Storage temperature range f	-10 ... 85 °C
Environmental protection	IP67

Abbreviation: RD: „Reading“; FS: „Full Scale“;

1) The exact nominal sensitivity is indicated in the test report;

Pin Configuration

Channel	Symbol	Description	Wire colour	PIN
	+Us	sensor supply	brown	
	-Us	sensor supply	white	
	+Ud	bridge output	green	
	-Ud	bridge output	yellow	
	+Uf	positive sense lead	pink	
	-Uf	negativ sense lead	grey	

Shield - transparent.

accessories

Description	Description
-------------	-------------



Calibration Certificate kn/20/5	Factory calibration certificate for force to 20 kN in accordance with DIN EN ISO / IEC 17025 for test materials monitoring according to DIN ISO 9001: 2008 with 5 load levels and 3 series of measurements.
---------------------------------	---

Order options

Type	Description
------	-------------

KM90e 010/105/3.5	Output 0...10V, 100 Hz, input ± 0.1 mV/V ... 3.5 mV/V (standard type)
KM90e 4-20/105/3.5	