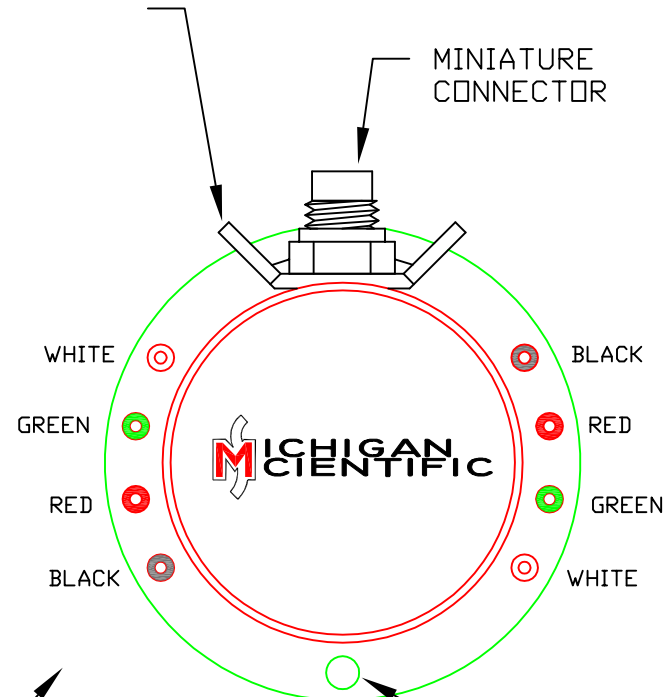
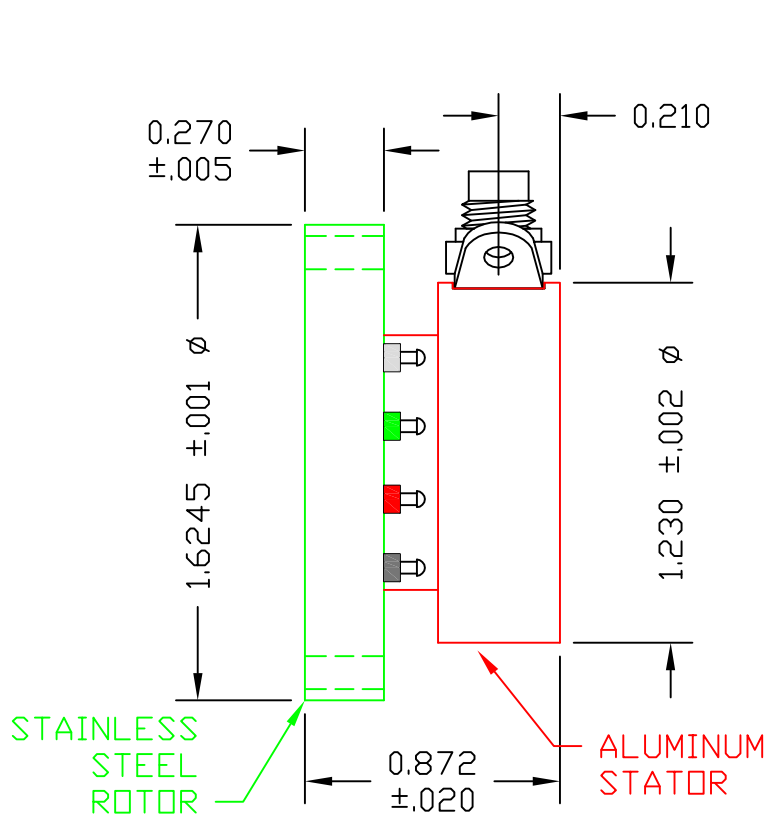


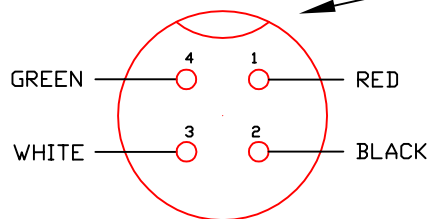
C213403A

TABS TO ATTACH A TETHER TO PREVENT THE STATOR FROM ROTATING. UNIT TORQUE IS LOW (ABOUT 3 IN-OZ). USE A FLEXIBLE CABLE OR SOFT SPRING, TO MINIMIZE FORCES APPLIED TO THE UNIT'S BEARINGS.



(2) 0.113 Ø THRU HOLES @ 180° ON 1.435 Ø. USE TWO 4-40 OR M2.5 SCREWS TO ATTACH THE SLIP RING TO THE END OF YOUR SHAFT.

COLOR OF SOLDER TERMINALS ON ROTOR. THERE ARE 2 REDUNDANT SETS OF TERMINALS, IN CASE SOME ARE DAMAGED.



FRONT VIEW OF MATING CONNECTOR

SHORT S SERIES
MODEL SHORT S4/X
4 SLIP RING CONNECTIONS

WEIGHT 55 GRAMS (1.9 OZ)

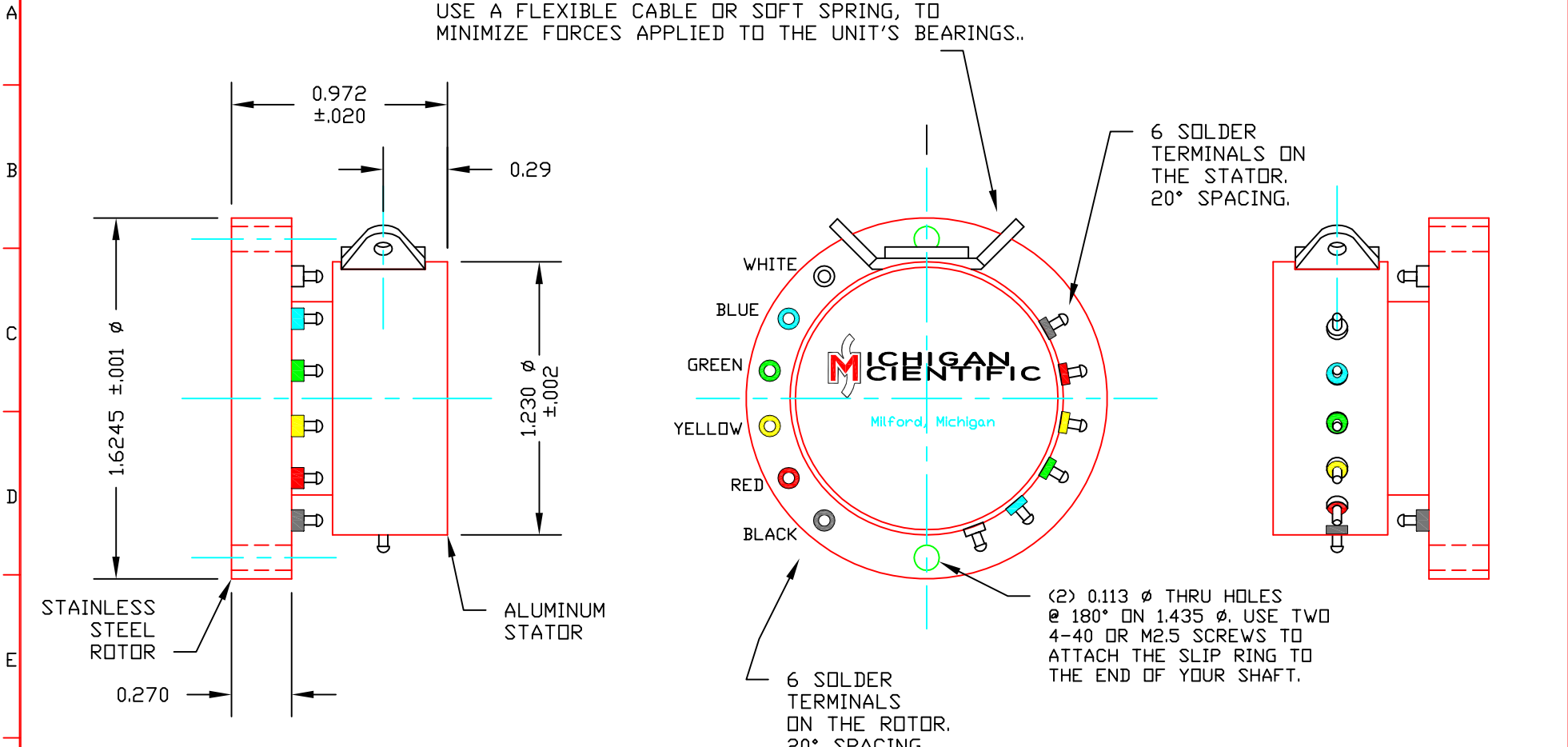
ALL DIMENSIONS IN INCHES

MICHIGAN SCIENTIFIC CORPORATION
08500 ANCE ROAD
CHARLEVOIX, MI 49720
PHONE: (616)547-5511 FAX: (616)547-7070

TOLERANCES .xxxx ±---- .xxx ±--- .xx ±-- ANGLES ±'---	DESIGNED BY: KDL	DATE: 6/2/95	SCALE: 1:1
SURFACE FINISH ---RMS	DRAWN BY: DKK	TITLE: SHORT S4/X	SHT OF SHTS: SIZE AH
DRAWING NO.: C213403A	MATERIAL: METAL HOUSING		

C213601A

TABS TO ATTACH A TETHER TO PREVENT THE STATOR FROM ROTATING. UNIT TORQUE IS LOW (ABOUT 3 IN-OZ). USE A FLEXIBLE CABLE OR SOFT SPRING, TO MINIMIZE FORCES APPLIED TO THE UNIT'S BEARINGS..



SHORT S SERIES
MODEL SHORT S6/T
6 SLIP RING CONNECTIONS

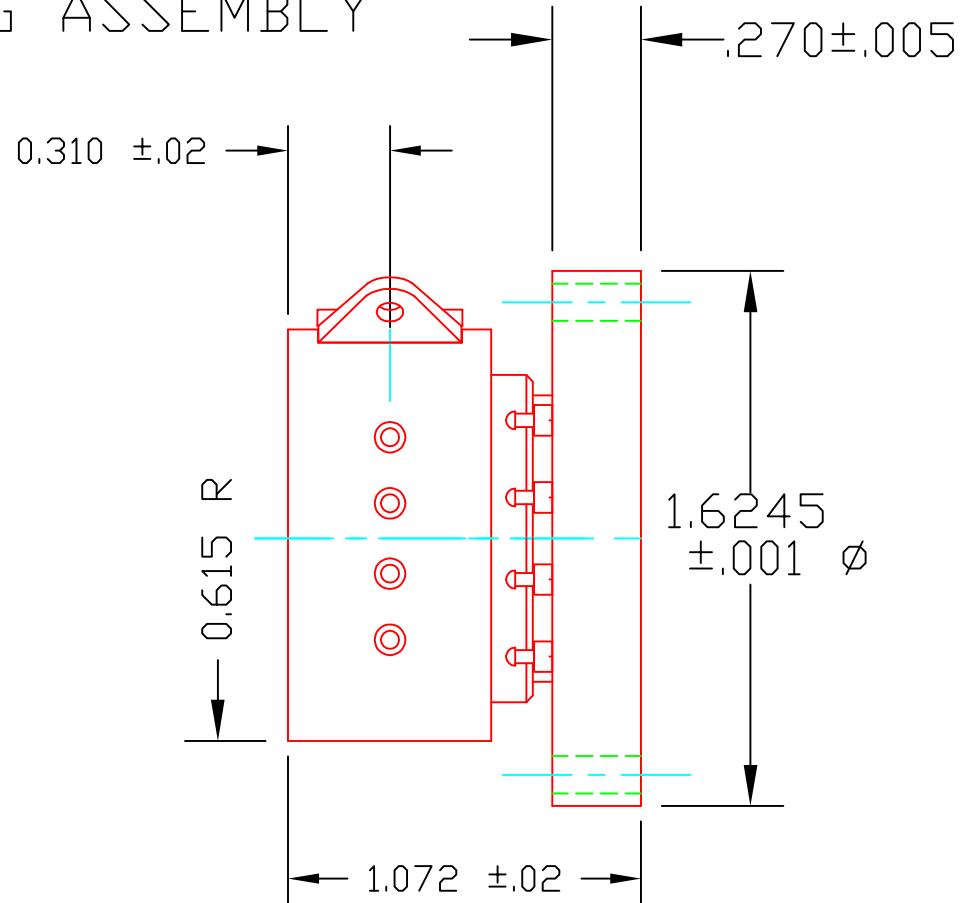
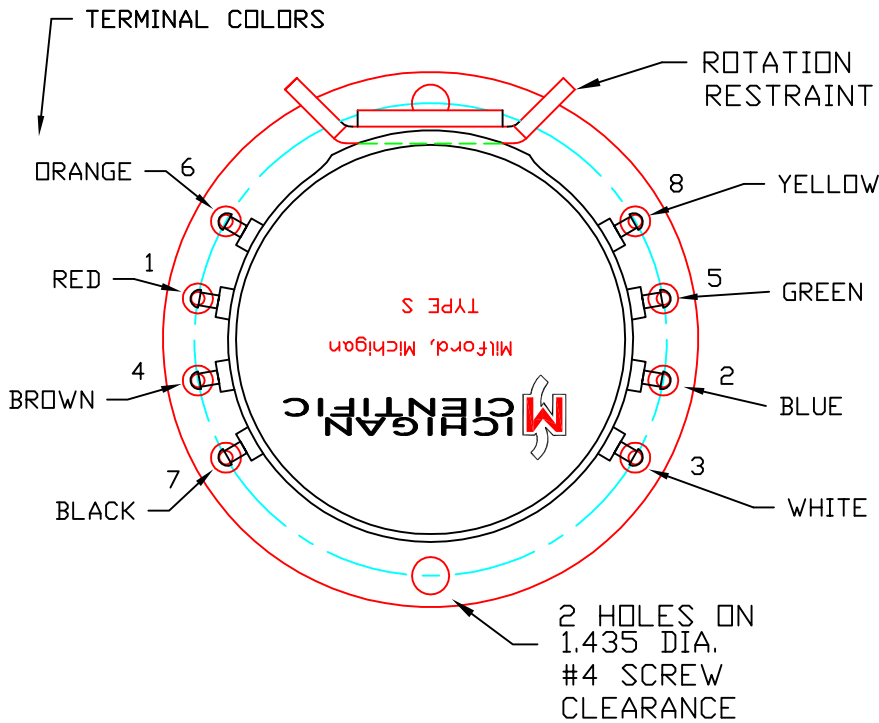
WEIGHT 56 GRAMS (2 OZ)
ALL DIMENSIONS IN INCHES

MICHIGAN SCIENTIFIC CORPORATION
08500 ANCE ROAD
CHARLEVOIX, MI 49720
PHONE: (231)547-5511 FAX: (231)547-7070

TOLERANCES .xxxx ±---- .xxx ±--- .xx ±-- ANGLES ±-°--'	DESIGNED BY: KDL	DATE: 2-28-08	SCALE: 1:1
SURFACE FINISH ---RMS	DRAWN BY: KDL	TITLE: SHORT S6/T	SHT OF SHTS: 1
DRAWING NO.: C213601A	CHECKED BY:	SIZE AH	MATERIAL: METAL HOUSING

C213819A

MODEL SHORT S8/T SLIP RING ASSEMBLY



MICHIGAN CORPORATION
08500 ANCE ROAD
CHARLEVOIX, MI 49720

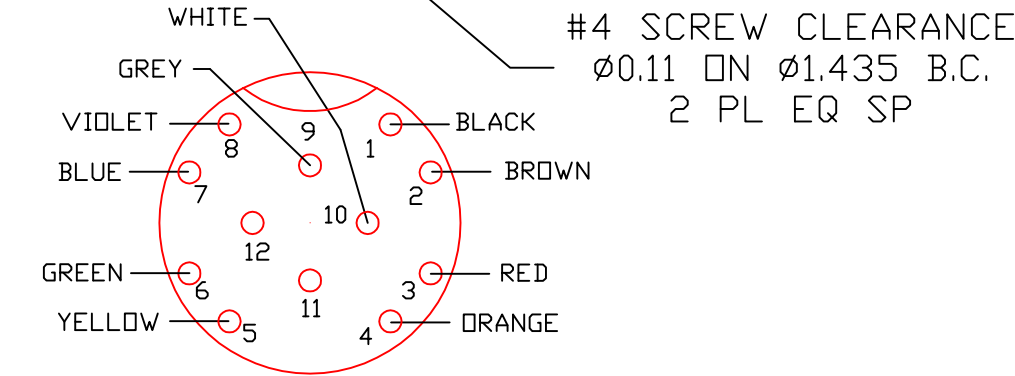
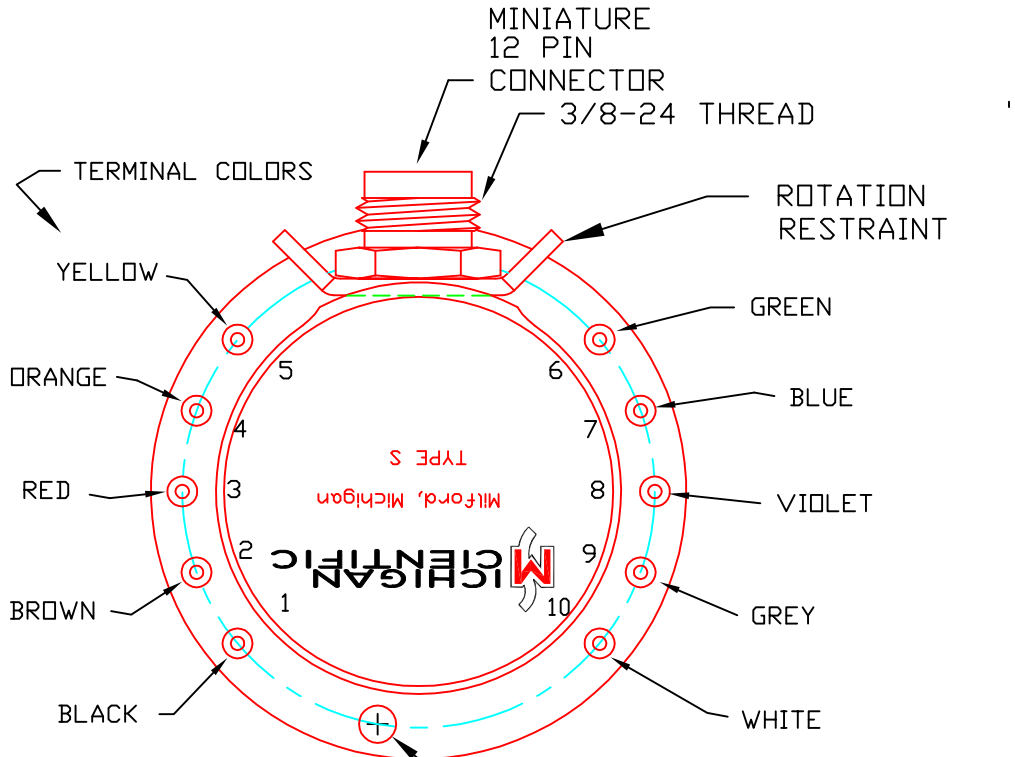
PHONE: (231)547-5511 FAX: (231)547-7070

TOLERANCES	DESIGNED BY: KDL	DATE: 6-28-00	SCALE: 1:1
.xxxx ±----	DRAWN BY: DKK/KDL	TITLE: SHORT S8/T	
.xxx ±---		CHECKED BY: KDL	SHT OF SHTS: SIZE AH
.xx ±--	DRAWING NO.: C213819A		
ANGLES ±-°--	MATERIAL:		
SURFACE FINISH ---RMS			

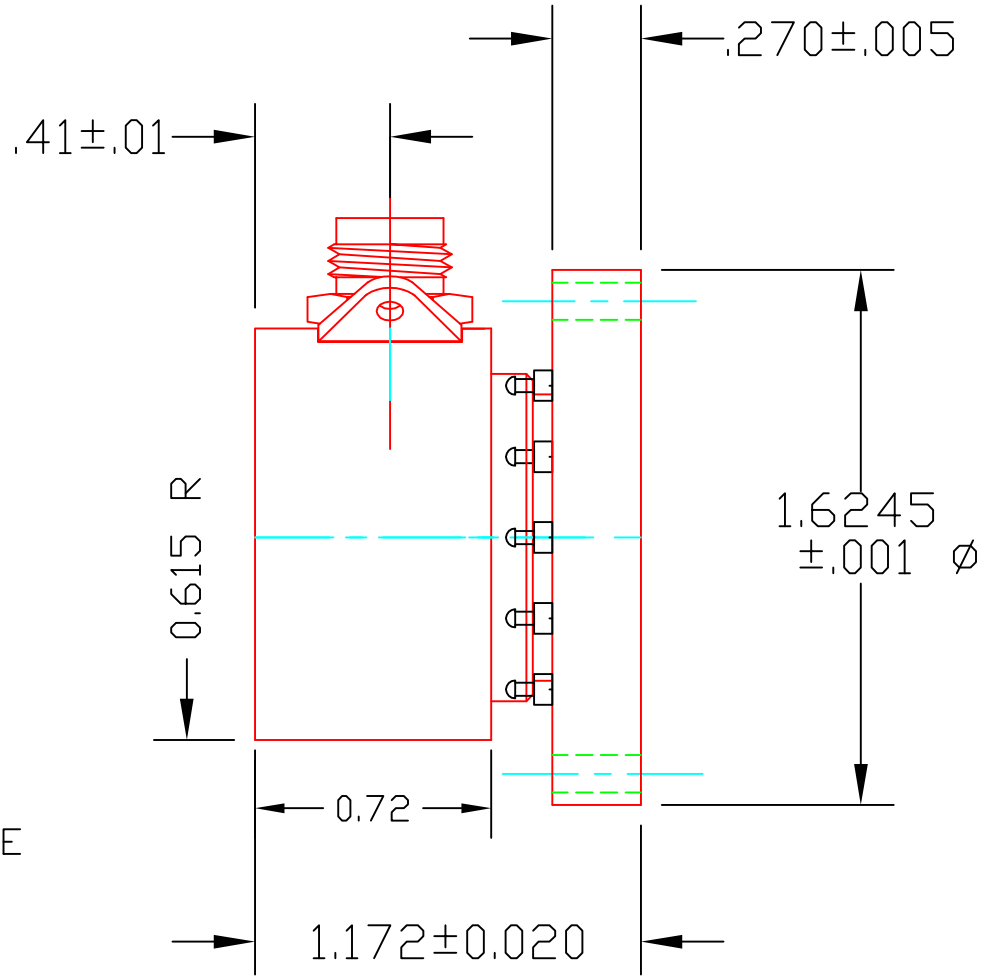
ALL DIMENSIONS IN INCHES

C213027A

MODEL SHORT S10/X SLIP RING ASSEMBLY



FRONT VIEW OF STATOR CONNECTOR ON SLIP RING.
COLORS OF STATOR CABLE WIRES & ROTOR SOLDER TERMINALS.



<p>MICHIGAN SCIENTIFIC CORPORATION 08500 ANCE ROAD CHARLEVOIX, MI 49720 PHONE: (231)547-5511 FAX: (231)547-7070</p>			
TOLERANCES	DESIGNED BY:	DATE:	SCALE:
.xxxx ±---	KDL	6-28-00	1:1
.xxx ±---	DRAWN BY:	TITLE:	
.xx ±.01	DKK/KDL	SHORT S10/X	
ANGLES ±---	CHECKED BY:	SHT OF SHTS:	SIZE
SURFACE FINISH ---RMS	KDL		AH
DRAWING NO.:	MATERIAL:		
C213027A			

ALL DIMENSIONS IN INCHES