

1 2 3 4 5 6 7 8 9

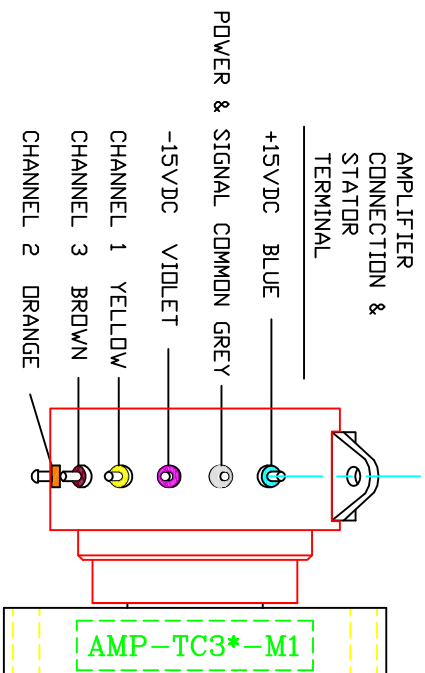
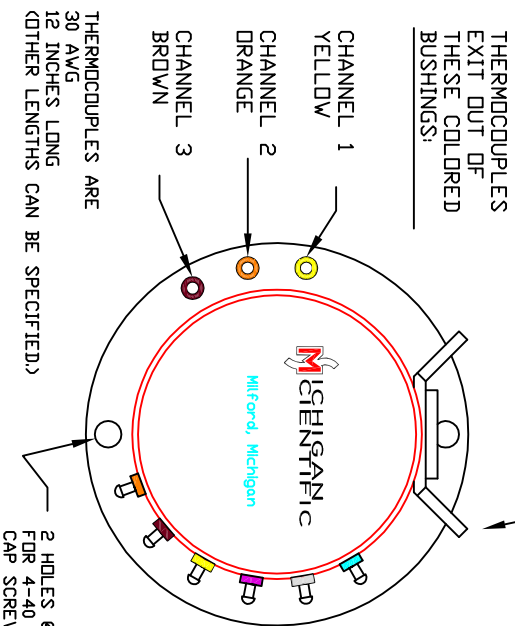
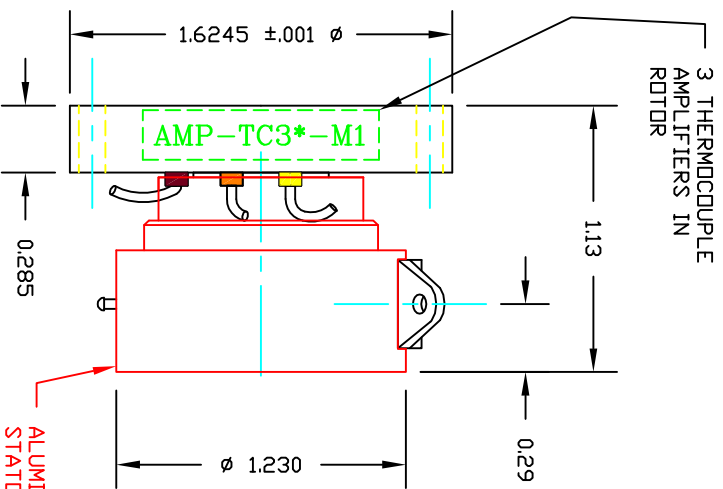
AT493123

SLIP RING & 3 THERMOCOUPLE AMPLIFIERS
 MODEL: SHORT S6/T/TC3*

DATE	BY	REVISION
6-3-11	KDL	Corrected text (TC not SG)
7-14-15	KDL	1.6245±.001 ROTDR
2-21-17	KDL	.025 longer revisions

Replace the * with thermocouple type, such as K or J.

TABS TO ATTACH A TETHER TO PREVENT THE STATOR FROM ROTATING. UNIT TORQUE IS LOW (ABOUT 3 IN-OZ). USE A FLEXIBLE CABLE OR SOFT SPRING, TO MINIMIZE FORCES APPLIED TO THE UNIT'S BEARINGS..



APPROXIMATE WEIGHT IS 56 GRAMS (2 OZ)
 ALL DIMENSIONS IN INCHES

MICHIGANIFIC CORPORATION
 08500 ANCE ROAD
 CHARLEVOIX, MI 49720
 PHONE: (231)547-5511 FAX: (231)547-7070

DRAWING NO.:	C213641A	DESIGNED BY:	KDL	DATE:	6-25-09	SCALE:	1:1
TITLE:	SHORT S6/T/TC3X	CHECKED BY:		SHT OF SHTS:	AH	MATERIAL:	METAL HOUSING