

WMC MINIATURE SEALED STAINLESS STEEL LOAD CELL (U.S. & METRIC)

FEATURES & BENEFITS

- Proprietary Interface temperature compensated strain gages
- Tension & compression
- Small size
- Environmentally sealed

SPECIFICATIONS

ACCURACY – (MAX ERROR)		
Nonlinearity – %FS		±0.15
Hysteresis – %FS		±0.15
Nonrepeatability – %RO		±0.05
Creep, in 20 min – %		±0.05
TEMPERATURE		
Compensated Range	°F	+15 to +115
	°C	-10 to +45
Operating Range	°F	-65 to +250
	°C	-54 to +121
Effect on Output – % / °F MAX		±0.002
Effect on Zero – %RO / °F MAX		±0.005
ELECTRICAL		
Rated Output – mV/V (Nominal)		2.0
Zero Balance – %RO		±2.0
Bridge Resistance – Ohm (Nominal)		350
Excitation Voltage – VDC MAX		12.0
Insulation Resistance – Megohm		> 5000
MECHANICAL		
Calibration		T & C
Safe Overload – %CAP		150
Weight	lbs	0.05 - 0.12
	g	22.7 - 54.4
Material		Stainless steel

OPTIONS

- Cable length
- Special calibration
- Standardized output
- Special temperature range
- Custom calibration
- Add connector to cable
- Submersible
- Transducer Electronic Data Sheet (TEDS)

ACCESSORIES

- Instrumentation

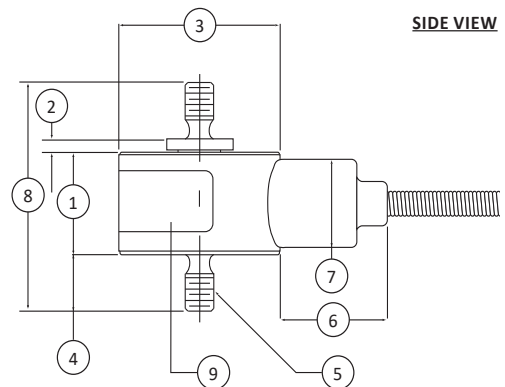
CONNECTOR OPTIONS

- 5 ft (1.5 m) integral cable

STANDARD CONFIGURATION



Model WMC (Shown)



SIDE VIEW

DIMENSIONS

See Drawing	CAPACITY					
	U.S. (lbf)	Metric (N)	U.S. (lbf)	Metric (N)	U.S. (lbf)	Metric (N)
	5 - 10	22 - 45	25 - 100	110 - 450	250 - 500	1100 - 2200
	in	mm	in	mm	in	mm
(1)	0.45	11.4	0.52	13.2	0.53	13.4
(2)	0.06	1.5	0.03	0.8	0.03	0.8
(3)	Ø0.75	Ø19.1	Ø1.00	Ø25.4	Ø1.00	Ø25.4
(4)	0.25 TYP	6.4 TYP	0.25 TYP	6.4 TYP	0.38 TYP	9.7 TYP
(5)	6-32 UNC M4X0.7 TYP		10-32 UNF M5X0.8 TYP		¼-28 UNF M6X1 TYP	
(6)	0.50	12.7	0.50	12.7	0.50	12.7
(7)	Ø0.39	Ø9.9	Ø0.39	Ø9.9	Ø0.39	Ø9.9
(8)	1.01	25.7	1.05	26.7	1.32	33.5

DEFLECTION @ RO							
lbf	N	lbf	N	lbf	N	lbf	N
5	22	10	45	25	110	50	220
in	mm	in	mm	in	mm	in	mm
0.0012	0.030	0.0010	0.025	0.0014	0.036	0.0010	0.025

DEFLECTION @ RO (CONTINUED)					
lbf	N	lbf	N	lbf	N
100	450	250	1100	500	2200
in	mm	in	mm	in	mm
0.0007	0.018	0.0026	0.066	0.0025	0.064

WMC MINIATURE SEALED STAINLESS STEEL LOAD CELL (U.S. & METRIC)

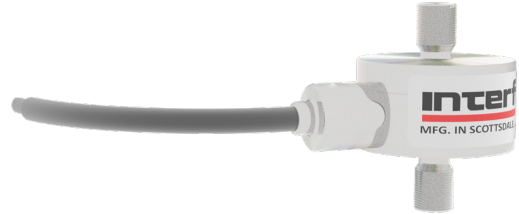
FEATURES & BENEFITS

- Capacities 1k - 10k lbf (4500 - 45000 N)
- Proprietary Interface temperature compensated strain gages
- Tension & compression
- Small size
- Environmentally sealed

SPECIFICATIONS

ACCURACY – (MAX ERROR)			
Nonlinearity – %FS		±0.20	
Hysteresis – %FS		±0.20	
Non-repeatability – %RO		±0.05	
Creep, in 20 min – %		±0.05	
TEMPERATURE			
Compensated Range	°F	+15 to +115	
	°C	-10 to +45	
Operating Range	°F	-65 to +250	
	°C	-54 to +121	
Effect on Output – % / °F MAX		±0.002	
Effect on Zero – %RO / °F MAX		±0.005	
ELECTRICAL			
Rated Output – mV/V (Nominal)		2.0	
Zero Balance – %RO		±2.0	
Bridge Resistance – Ohm (Nominal)		350	
Excitation Voltage – VDC MAX		15.0	
Insulation Resistance – Megohm		> 5000	
MECHANICAL			
Calibration		T & C	
Deflection @ RO	1K (lbf)	in	0.0022
	4.5 (kN)	mm	0.056
	2K, 3K (lbf)	in	0.0020
	9.13 (kN)	mm	0.051
	5K (lbf)	in	0.0017
	22 (kN)	mm	0.043
	7.5K, 10K (lbf)	in	0.0016
	33 (kN)	mm	0.041
	10K (lbf)	in	0.0015
45 (kN)	mm	0.038	
Safe Overload – % CAP		150	
Weight	lbs	0.13 - 0.50	
	g	59.0 - 226.8	
Material		Stainless steel	

STANDARD CONFIGURATION



Model WMC (Shown)

OPTIONS

- Cable length
- Custom calibration
- Standardized output
- Add connector to cable
- Transducer Electronic Data Sheet (TEDS)
- Standardized output
- Submersible
- Special temperature range

ACCESSORIES

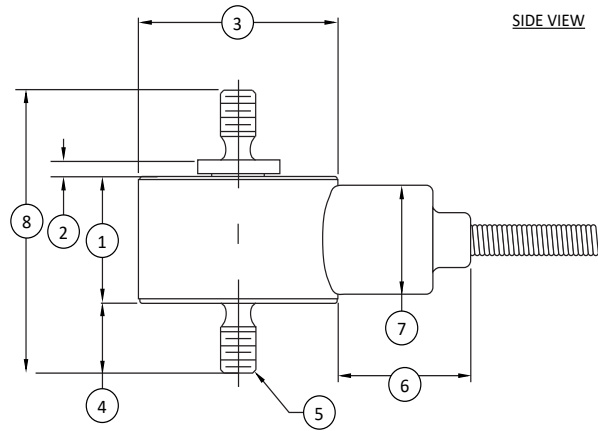
- Instrumentation

CONNECTOR OPTIONS

- 5 ft. (1.5m) integral cable

WMC Mini 1K-10K v2.3 03-16-2018

WMC MINIATURE SEALED STAINLESS STEEL LOAD CELL (U.S. & METRIC)



SIDE VIEW

DIMENSIONS

See Drawing	CAPACITY							
	U.S. (lbf)	Metric (kN)	U.S. (lbf)	Metric (kN)	U.S. (lbf)	Metric (kN)	U.S. (lbf)	Metric (kN)
	1K	4.5	2K, 3K	9, 13	5K	22	7.5K, 10K	33, 45
	in	mm	in	mm	in	mm	in	mm
(1)	0.53	13.4	0.72	18.3	0.94	23.9	1.09	27.7
(2)	0.03	0.8	0.03	0.8	0.03	0.8	0.03	0.8
(3)	Ø1.00	Ø25.4	Ø1.00	Ø25.4	Ø1.25	Ø31.8	Ø1.38	Ø34.9
(4)	0.38 TYP	9.7 TYP	0.50 TYP	12.7 TYP	0.63 TYP	16.0 TYP	0.88 TYP	22.4 TYP
(5)	¼-28 UNF	M6x1 TYP	¾-24 UNF	M10x1.5 TYP	0.500-20 UNF	M12x1.75 TYP	0.750-16 UNF	M16x2 TYP
(6)	0.50	12.7	0.50	12.7	0.50	12.7	0.50	12.7
(7)	Ø0.39	Ø9.9	Ø0.39	Ø9.9	Ø0.39	Ø9.9	Ø0.39	Ø9.9
(8)	1.32	33.5	1.75	44.5	2.23	56.6	2.88	73.2

FEATURES & BENEFITS

- Proprietary Interface temperature compensated strain gages
- Environmentally sealed
- Stainless steel construction
- Low deflection
- Tension & Compression

SPECIFICATIONS

CAPACITY	U.S. (lbf)	15K - 50K	100K	200K
	Metric (kN)	65 - 220	450	900
ACCURACY – (MAX ERROR)				
Nonlinearity – %FS		±0.10	±0.15	±0.20
Hysteresis – %FS		±0.10	±0.15	±0.20
Non-repeatability – %RO		±0.05		
Creep, in 20 min – %		±0.05		
TEMPERATURE				
Compensated Range	°F	+15 to +115		
	°C	-10 to +45		
Operating Range	°F	-65 to +250		
	°C	-54 to +121		
Effect on Output – %	°F	±0.004	±0.005	±0.005
	°C	±0.0072	±0.009	±0.009
Effect on Zero – %RO	°F	±0.0025	±0.005	±0.005
	°C	±0.0045	±0.009	±0.009
ELECTRICAL				
Rated Output – mV/V (Nominal)		2.0		
Zero Balance – %RO		±1.0		
Bridge Resistance – Ohm (Nominal)		350 ±3.5		
Excitation Voltage – VDC MAX		15		
Insulation Resistance – Megohm		> 5000		
MECHANICAL				
Calibration		T & C		
Safe Overload – %CAP		150		
Deflection @ RO	in	0.004		
	mm	0.10		
Weight	lbs	4	14	34.4
	kg	1.8	6.4	15.6
Material		Stainless steel		

STANDARD CONFIGURATION



Model WMC Rod End (Shown)

OPTIONS

- Special calibration
- Standardized output
- Special temperature range
- Custom calibration
- Transducer Electronic Data Sheet (TEDS)
- Amplifier

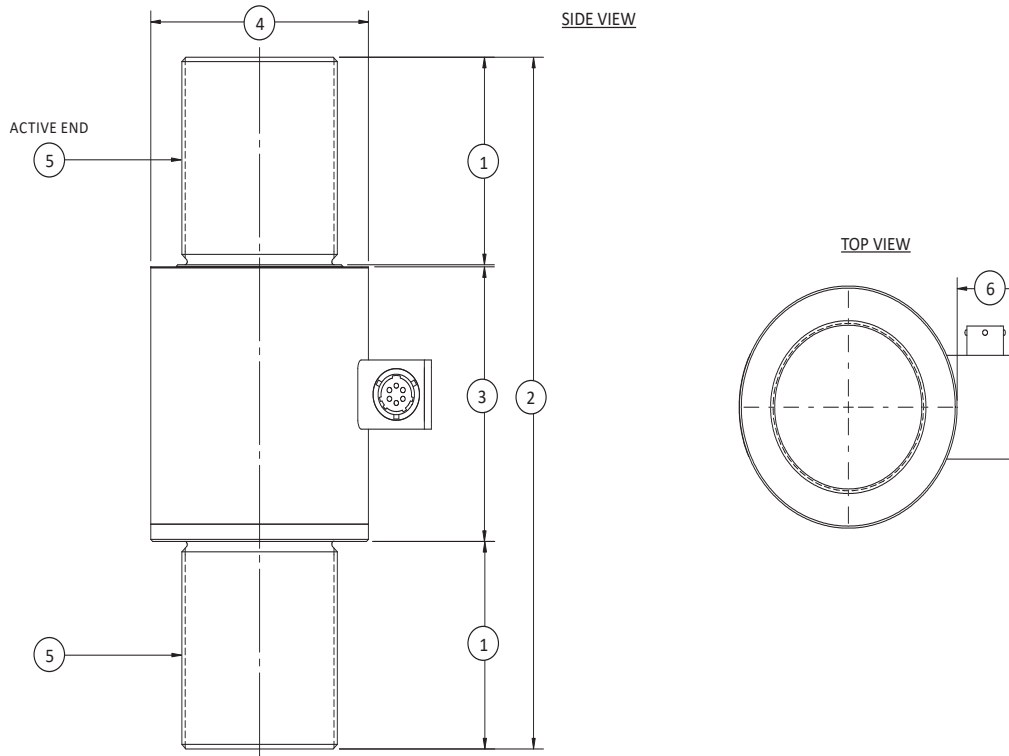
ACCESSORIES

- Instrumentation
- Interconnect cable

CONNECTOR OPTIONS

- Integral cable
- PTWIH-10-6P Connector

WMC RE v2.0 05-14-2018



DIMENSIONS

See Drawing	CAPACITY					
	U.S. (lbf)	Metric (kN)	U.S. (lbf)	Metric (kN)	U.S. (lbf)	Metric (kN)
	15K -50K	65-220	100K	450	200K	900
	in	mm	in	mm	in	mm
(1)	2.00	50.8	3.00	76.20	4.00	101.60
(2)	6.5	165.1	10.00	254.00	13.00	330.20
(3)	2.47	62.7	3.97	100.84	4.97	126.24
(4)	2.5	63.5	3.50	88.90	4.47	113.54
(5)	1.5-12 UNF M36x4		2.50-12 UN M64x4		3.50-8 UN M90x4	
(6)	1.01	25.7	1.28	32.51	1.36	34.54

WMC RE v2.0 05-14-2018