



Highlights

- Tare function via control cable
- 250 Hz Filter in the standard version
- 2,5 kHz or 10kHz Filter optionally
- ± 5 or ± 10 V output

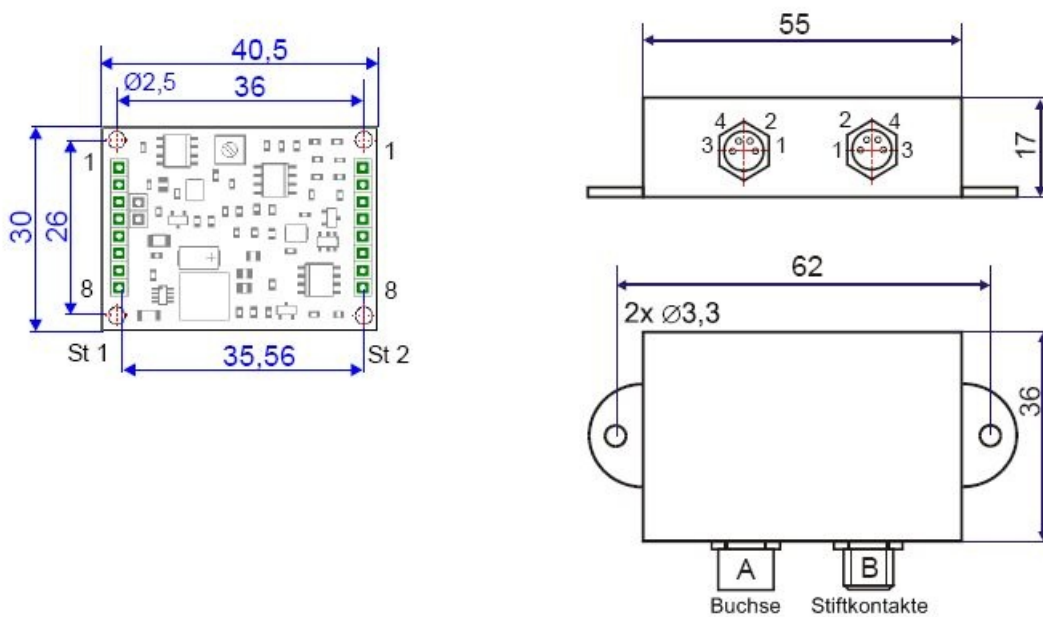
Description

The module GSV-1M is an encapsulated version of the printed circuit board GSV-1L with miniature M8 connectors.

The high limiting frequency of 10 kHz is suitable for the detection of static and dynamic signals from sensors with strain gauges.

The automatic automatic zero adjustment store settings permanently in the nonvolatile memory also by voltage interruption.

Dimensions



Technical Data

Input analog

Input sensitivity-steps	2.0 3.5 1.0	mV/V
Input resistance strain-gauge-full-bridge	87 ... 5000	Ohm

Output analog

Number of analog outputs	1	
Voltage output f	-10 ... 10	V

Measuring frequency

Limit frequency (analog)	250	Hz
--------------------------	-----	----

Supply

Supply voltage f	11 ... 26	V
Strain gauge bridge supply	5	V

Interface

Type of the interface	Analogue	
-----------------------	----------	--

Zero adjustment

Tolerance	5	mV
Time period	90	ms
Debouncing time	4	ms
Trigger level f	3.5 ... 30	V
Trigger edge	falling	

Temperature

Rated temperature range f	-10 ... 65	°C
Operating temperature range f	-40 ... 85	°C
Environmental protection	IP67	

Basis Data

Housing	Grouting	
Connection	Connector	
Number of channels	1-Kanal	

Precision

Accuracy class	0,1%	
Relative linearity error	0.02	%FS
Temperature effect on the zero point	0.2	%FS/10°C
Temperature effect on the measuring sensitivity	0.1	%RD/10°C

Mounting


Pin configuration

	PIN Nr.		
A spring contacts	1	+U _S positive bridge supply	brown
	2	-U _S negative bridge supply	white
	3	+U _D positive differential input	blue
	4	-U _D negative differential input	black

	PIN-Nr.		
B pin contacts	1	+U _B supply voltage	brown
	2	+U _A Analog output	white
	3	GND: mass	blue
	4	T. control input zero balance	black

St 1		St 2	
1	-U _D : negative differential input	1	+U _B : voltage supply
2	+U _D : positive differential input	2	GND : mass
3	+U _S : positive bridge supply	3	assigned internally
4	-U _S : negative bridge supply (GND)	4	assigned internally
5	GND : mass	5	assigned internally
6	+U _A : Analog output	6	assigned internally
7	+U _B : voltage supply	7	assigned internally
8	T : control input zero balance	8	T : control input zero balance

accessories

Description	Description
 Configuration 4p/m/M8	assembling the connector to sensor cable, connector Type 718, 4 pin, male, pins on cable

Order options

Type	Description
GSV-1L ±5/250/2	Output -5...5 V, 250 Hz, input ±2 mV/V
GSV-1L ±5/10khz/2	Output -5...5 V, 2.5 kHz, input ±2 mV/V
GSV-1L 010/250/2	Output -10...10 V, 250 Hz, input ±2 mV/V
GSV-1L ±5/250/3,5	Output -5...5 V, 250 Hz, input ±3.5 mV/V