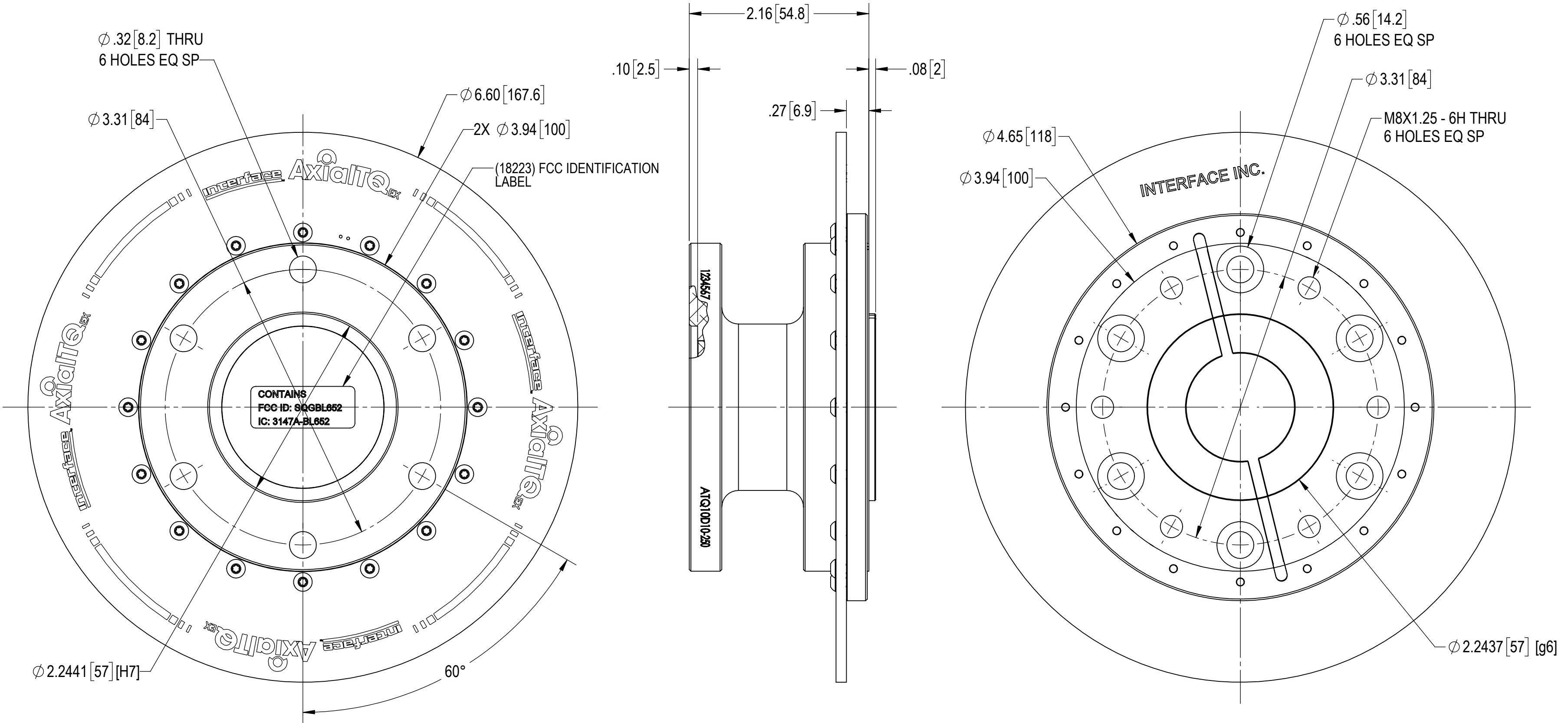


Interface Inc. claims proprietary rights in the information disclosed hereon. This drawing is furnished in confidence on the express understanding that neither it nor any reproduction thereof will be disclosed to others or used for the purpose of manufacture or procurement of the artical or part shown hereon without written permission of Interface Inc. The drawing shall remain the property of Interface Inc. and shall be returned upon request by Interface Inc.

82612

REVISIONS			
REV	DESCRIPTION	DATE	APPROVED
A	INITIAL RELEASE	2/7/2019	JAKE S.



- 3. FLEXURE MATERIAL: ANODIZED ALUMINUM
- 2. DIMENSIONAL TOLERANCE: $\pm 0.01 [0.3]$
- 1. ALL DIMENSIONS ARE IN INCHES & [mm] UNLESS OTHERWISE SPECIFIED

CREATOR		DATE		interface <small>7418 E. HELM DRIVE FORCE MEASUREMENT SOLUTIONS, SCOTTSDALE, AZ 85260 USA</small>	
DESIGNED:		DATE			
JAKE S.		1/30/2019		OUTLINE, MODEL ATQ10D10-100EX / 250EX	
DETAILED:		DATE			
JAS		1/30/2019		SIZE: DWG. NO: C 82612	
CAM DATA:				REV A	
SCALE: 1:1				SHEET 1 OF 1	