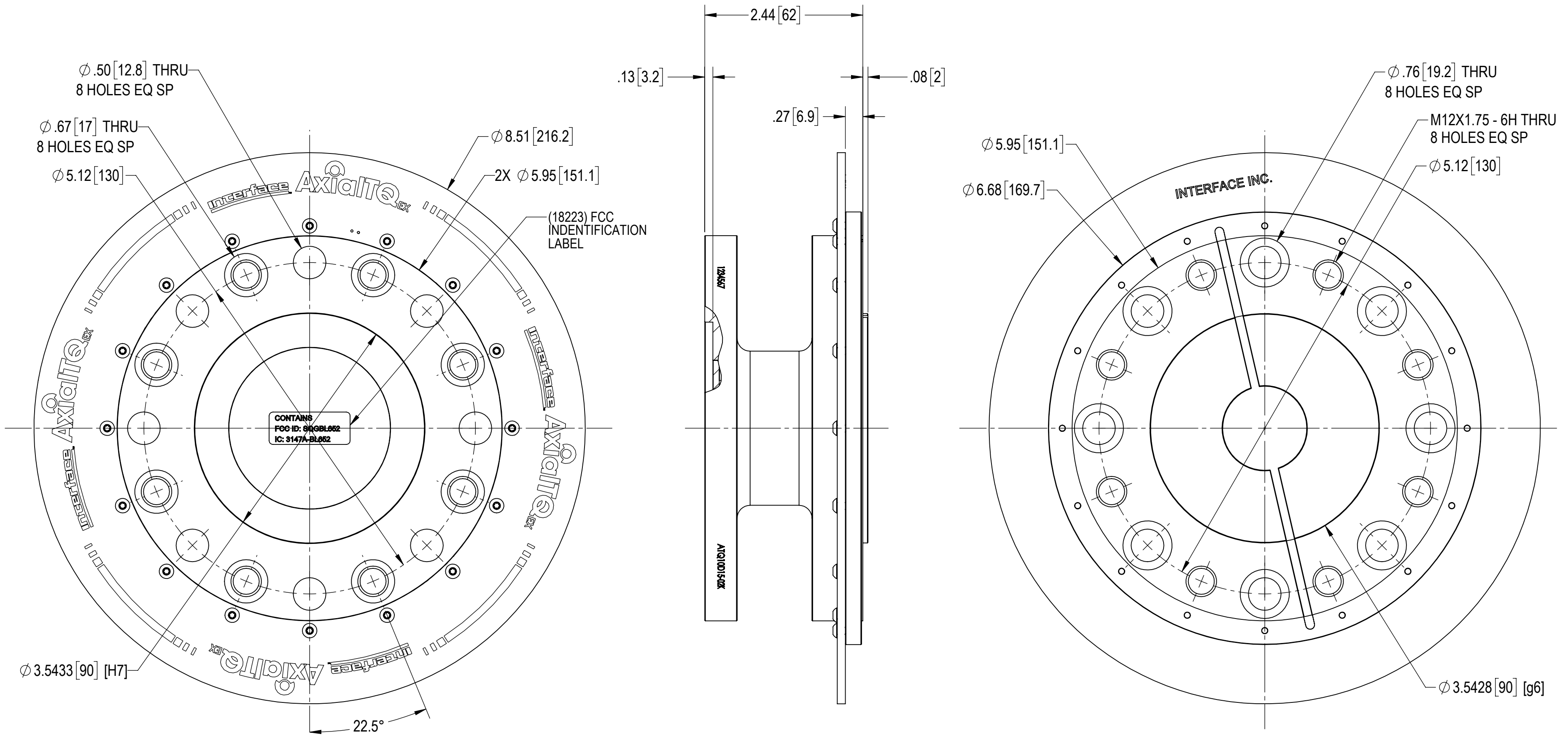



Interface Inc. claims proprietary rights in the information disclosed hereon. This drawing is furnished in confidence on the express understanding that neither it nor any reproduction thereof will be disclosed to others or used for the purpose of manufacture or procurement of the artical or part shown hereon without written permission of Interface Inc. The drawing shall remain the property of Interface Inc. and shall be returned upon request by Interface Inc.

82614

REVISIONS			
REV	DESCRIPTION	DATE	APPROVED
A	INITIAL RELEASE	2/7/2019	JAKE S.



- 3. FLEXURE MATERIAL: NICKEL PLATED STEEL
- 2. DIMENSIONAL TOLERANCE: $\pm 0.01 [0.3]$
- 1. ALL DIMENSIONS ARE IN INCHES & [mm] UNLESS OTHERWISE SPECIFIED

CREATOR		DATE	 <small>7418 E. HELM DRIVE SCOTTSDALE, AZ 85260 USA</small>	
DESIGNED:		1/31/2019	TITLE:	
JAKE S.			OUTLINE, MODEL	
DETAILED:		1/31/2019	ATQ10D15-2KEX / 3KEX	
JAS			SIZE: DWG. NO:	REV
C			82614	A
CAM DATA:			SCALE: 1:1.25	SHEET 1 OF 1