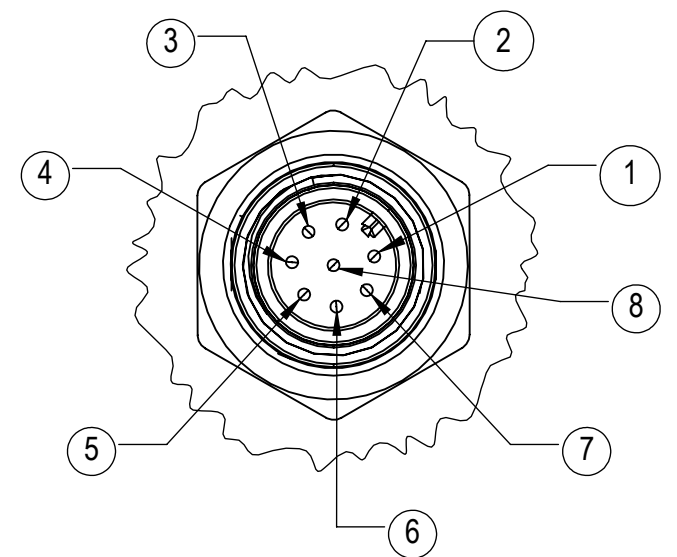
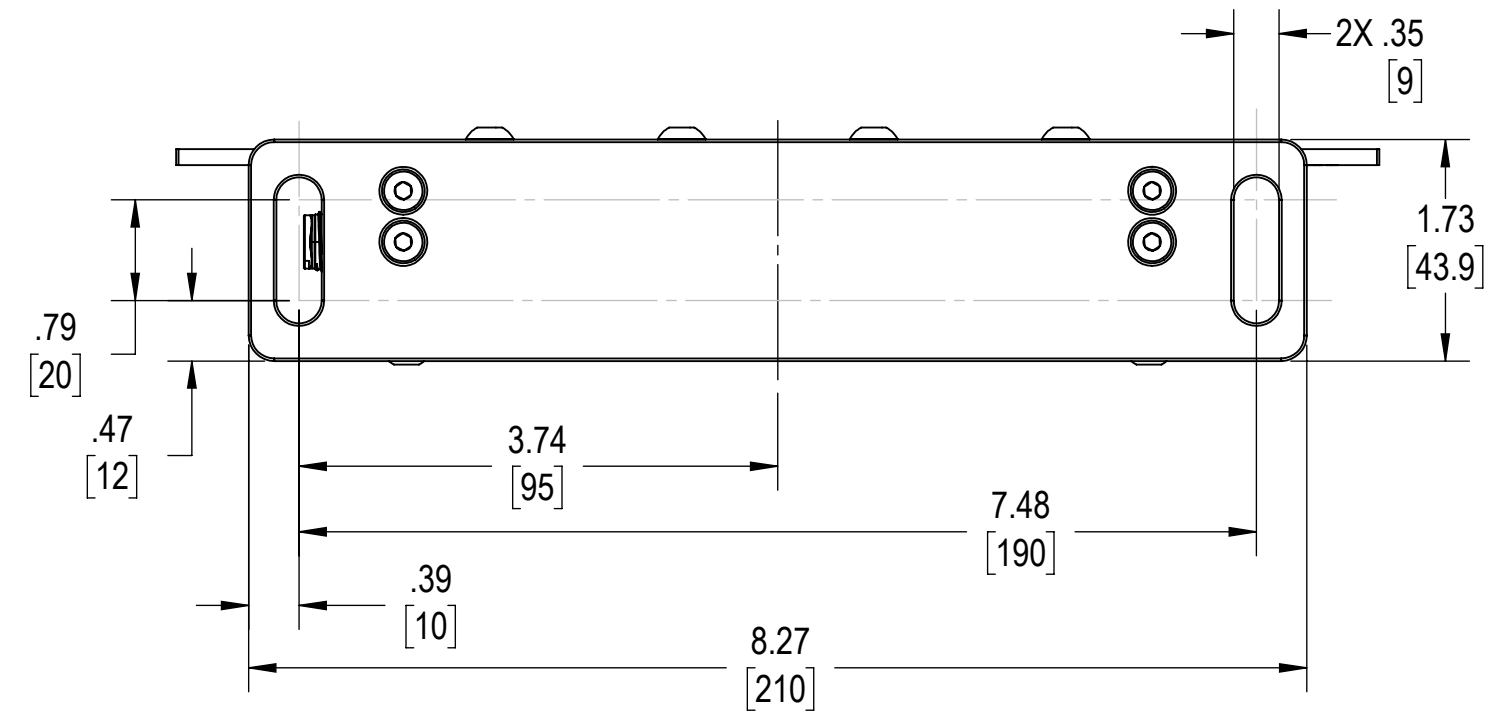
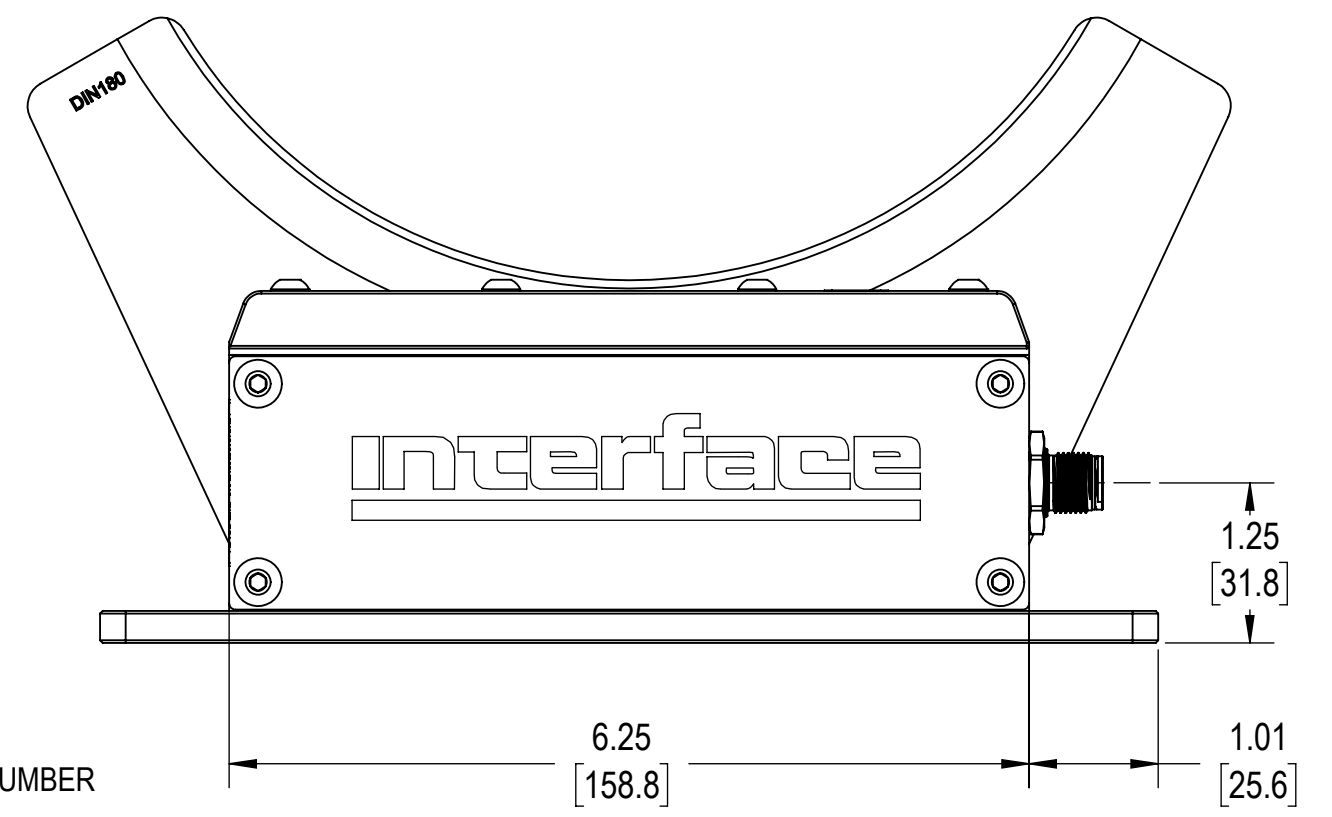
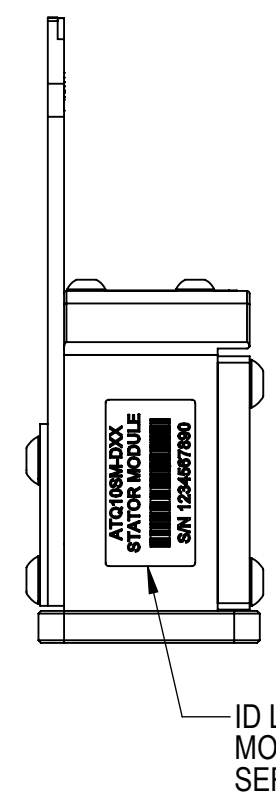
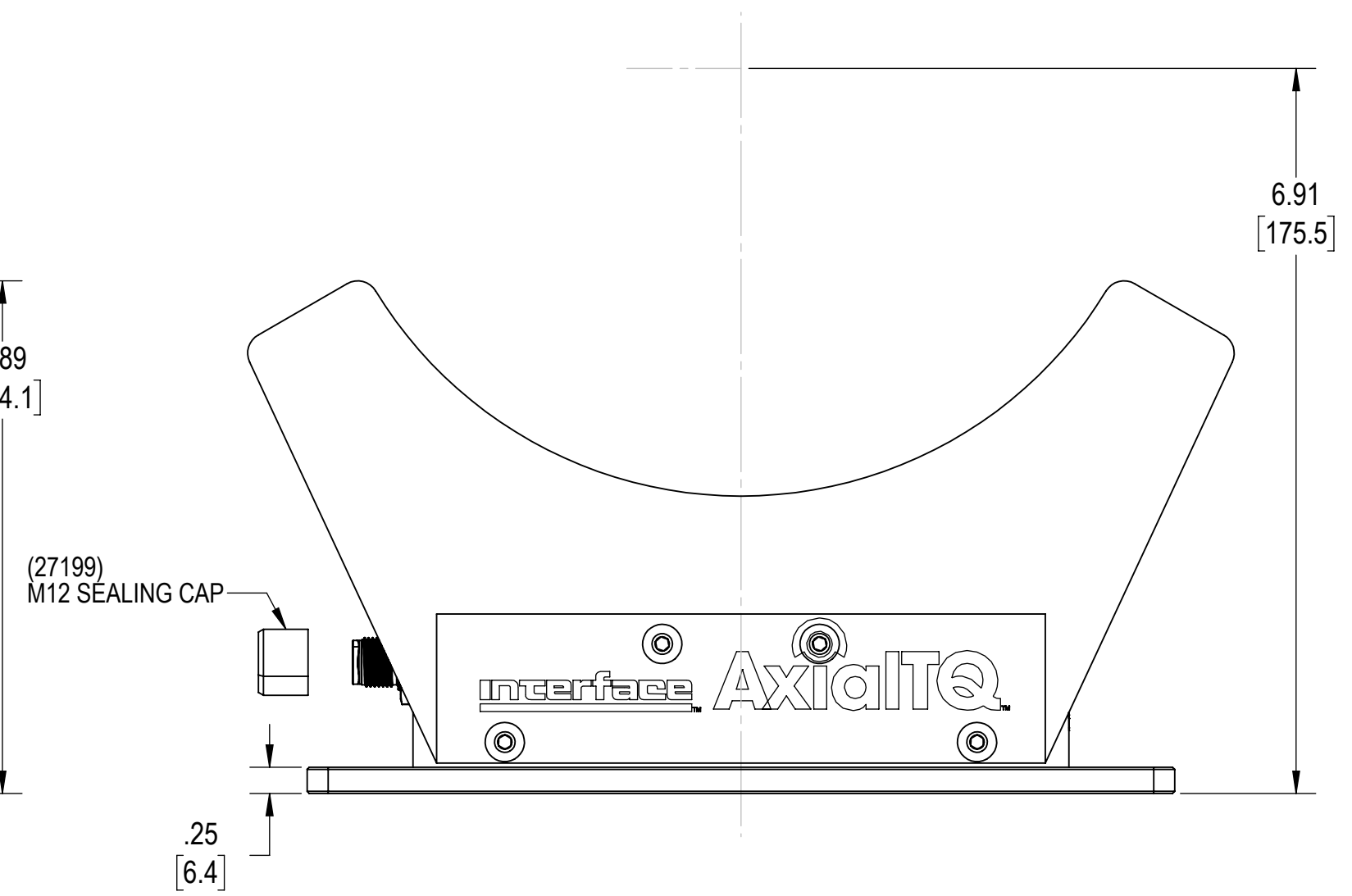
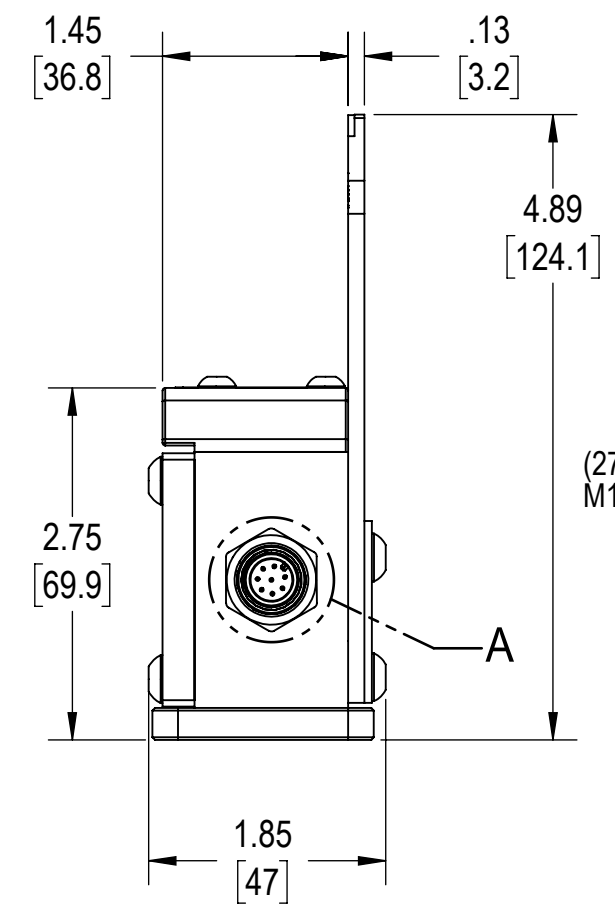
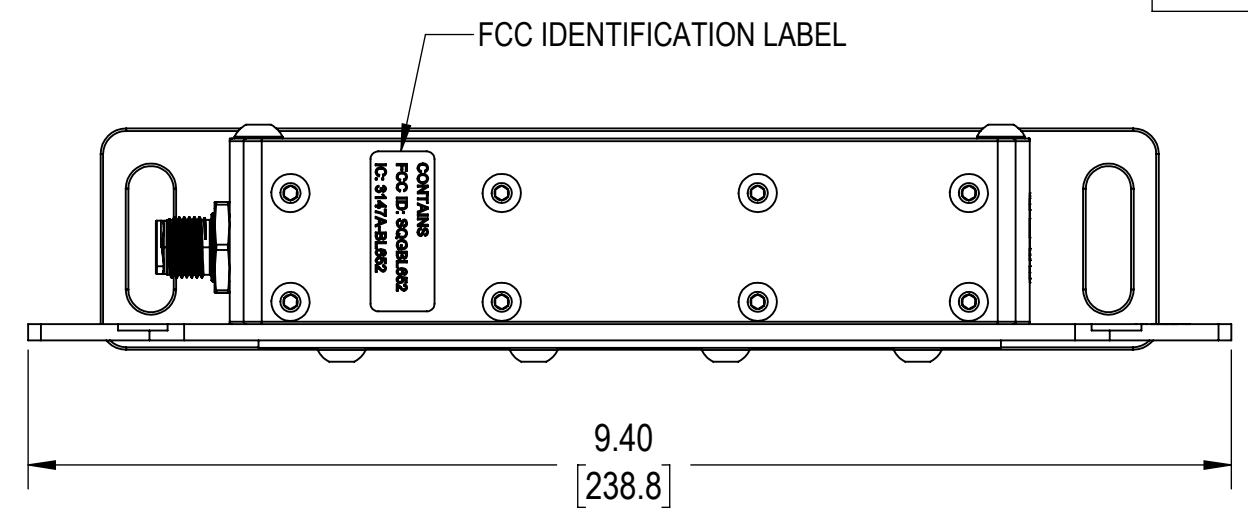


Interface Inc. claims proprietary rights in the information disclosed hereon. This drawing is furnished in confidence on the express understanding that neither it nor any reproduction thereof will be disclosed to others or used for the purpose of manufacture or procurement of the artical or part shown hereon without written permission of Interface Inc. The drawing shall remain the property of Interface Inc. and shall be returned upon request by Interface Inc.

82590

REVISIONS			
REV	DESCRIPTION	DATE	APPROVED
A	INITIAL RELEASE	2/7/2019	JAKE S.



CONNECTOR PINOUT	
PIN	FUNCTION
1	TXD_B
2	TXD_A
3	RXD_B
4	RXD_A
5	N/C
6	N/C
7	24VDC_PWR
8	24VDC_GND

DETAIL A  
SCALE 2 : 1

2. DIMENSIONAL TOLERANCE: ±0.01 [0.3]  
1. ALL DIMENSIONS ARE IN INCHES AND [mm] UNLESS OTHERWISE SPECIFIED.

CREATOR		DATE	 7418 E. HELM DRIVE SCOTTSDALE, AZ 85260 USA
DESIGNED:		JAKE S.	
DETAILED:		JAS	TITLE: OUTLINE, MODEL ATQ10SM-D18
CAM DATA:			SIZE: DWG. NO: <b>C</b> <b>82590</b>
			REV <b>A</b>
SCALE: 1:1.5			SHEET 1 OF 1