

FEATURES & BENEFITS

- Capacities from 2 to 10 lbf (10 to 50 N)
- Proprietary Interface temperature compensated strain gages
- Performance to 0.03%
- Low Height – 1 in (25.4 mm)
- 0.0008%/°F temp. effect on output
- 10x overload protection

SPECIFICATIONS

ACCURACY – (MAX ERROR)		
Nonlinearity – %FS		±0.03
Hysteresis – %FS		±0.03
Non-repeatability – %RO		±0.01
Creep, in 20 min – %		±0.025
TEMPERATURE		
Compensated Range	°F	+70 to +170
	°C	+21 to +77
Operating Range	°F	-40 to +175
	°C	-40 to +80
Effect on Output – %RO / °F MAX		±0.0008
Effect on Zero – %RO / °F MAX		±0.002
ELECTRICAL		
Rated Output – mV/V (Nominal)		2
Zero Balance – %RO		±5.0
Bridge Resistance – Ohm (Nominal)		350
Excitation Voltage – VDC MAX		15
Insulation Resistance – Megohm		5000
MECHANICAL		
Calibration		Compression
Safe Overload – %CAP		1000
Eccentric Load Sensitivity – %MAX	in	±0.02
	mm	±0.5
Weight (without the cable)	lbs	0.14
	kg	0.04
Material		Aluminum

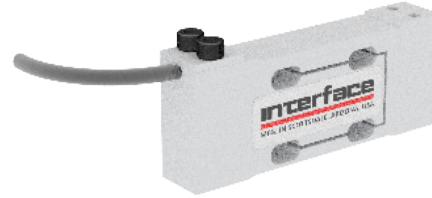
OPTIONS

- Cable Length
- Standardized Output
- Custom Calibration
- Add Connector to Cable
- Special Temperature Range
- Transducer Electronic Data Sheet (TEDS)

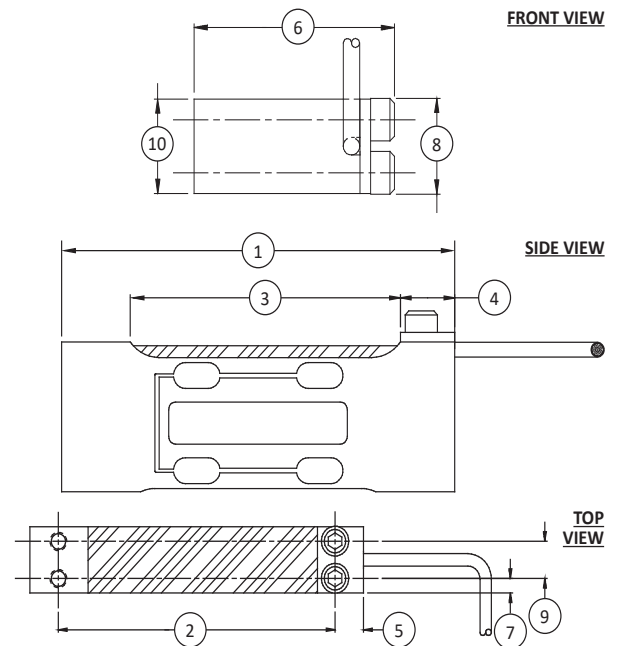
CONNECTOR OPTIONS

- 5 ft (1.5 m) integral cable (MBI)

STANDARD CONFIGURATION



Model MBI (Shown)



DIMENSIONS

See Drawing	CAPACITY	
	US (lbf)	Metric (N)
	in	mm
(1)	2.750	69.90
(2)	2.281	57.94
(3)	1.890	48.00
(4)	0.380	9.70
(5)	0.234	5.94
(6)	1.160	29.50
(7)	0.110	2.79
(8)	0.510	13.00
(9)	0.281	7.14
(10)	0.500	12.70

ACCESSORIES

- Instrumentation