

## FEATURES & BENEFITS

- Capacities from 25 to 300 lbf (125 to 1500 kN)
- Proprietary Interface temperature compensated strain gages
- Performance to 0.05%
- Compact 2 3/4 in (70 mm) diameter
- Eccentric load compensated
- 0.0008%/°F (0.0015%/°C) temp. effect on output
- Shunt calibration
- Low deflection

## OPTIONS

- Connector protection
- Standardized output
- Transducer Electronic Data Sheet (TEDS)
- Custom calibration
- Multiple bridge
- Special threads
- Dual diaphragm
- Special temperature range
- Special connector

## CONNECTOR OPTIONS

- PT02E-10-6P bayonet connector
- PC04E-10-6P screw-type connector

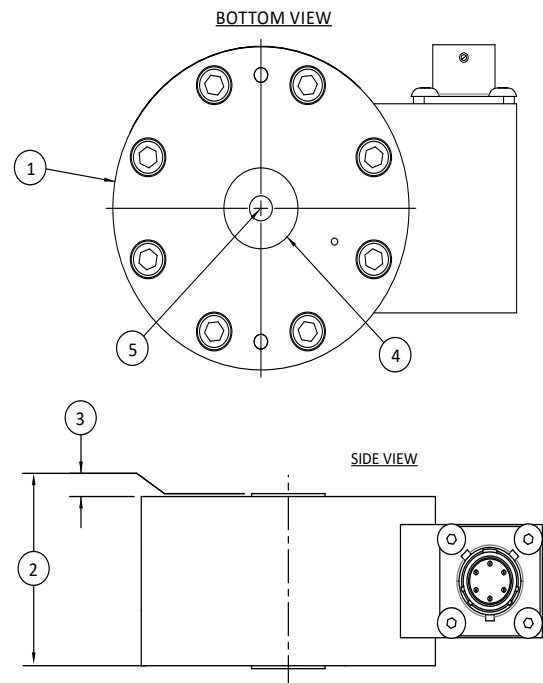
## ACCESSORIES

- Mating connector
- Mating cable
- Instrumentation
- Loading hardware

## STANDARD CONFIGURATION



Model 1500ASK-300 (shown)



## DIMENSIONS

See Drawing	CAPACITY	
	US (lbf)	Metric (N)
	25, 50, 100, 200, 300	125, 250, 500, 1000, 1500
(1)	in	mm
(2)	2.75	69.8
(3)	1.50	38.1
(4)	0.03 - 2X	0.6 - 2X
(5)	0.69	17.5
	1/4-28 UNF $\downarrow$ 0.25	M6 X 1-6H $\downarrow$ 6.4

1500SLC v2.1 02-06-2018

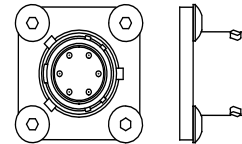
**SPECIFICATIONS**

ACCURACY – (MAX ERROR)		
Static Error Band – %FS		±0.05
Nonlinearity – %FS		±0.05
Hysteresis – %FS		±0.05
Non-repeatability – %RO		±0.02
Creep, in 20 min – %		±0.03
Eccentric Load Sensitivity – % / in		±0.25
TEMPERATURE		
Compensated Range	°F	+15 to +115
	°C	-10 to +45
Operating Range	°F	-65 to +200
	°C	-55 to +90
Effect on Output – % MAX	°F	±0.0008
	°C	±0.0015
Effect on Zero – %RO MAX	°F	±0.0015
	°C	±0.0027
ELECTRICAL		
Rated Output – mV/V (Nominal)		2.0
Zero Balance – %RO		±1.0
Bridge Resistance – Ohm (Nominal)		700
Excitation Voltage – VDC MAX		20
Insulation Resistance – Megohm		5000
MECHANICAL		
Calibration		Tension & Compression
Safe Overload – %CAP		±150
Deflection @ RO	in	0.003
	mm	0.08
Natural Frequency	(lbf)	25, 50, 100, 200, 300
	(N)	125, 250, 500, 1000, 1500
	(Hz)	2000, 2500, 4000, 6000, 7500
Weight	lbs	1
	kg	0.45
Material		Aluminum

**BAYONET CONNECTOR**



Model 1500ASK-300 (shown)



Model 1500AF-300 (shown)

