

## FEATURES & BENEFITS

- Proprietary Interface temperature compensated strain gages
- Small compact design
- Environmentally sealed
- Low deflection

## SPECIFICATIONS

ACCURACY – (MAX ERROR)		
Nonlinearity – %FS		± 0.5
Hysteresis – %FS		± 0.5
Non-repeatability – %RO		± 0.10
Creep, in 20 min – %		± 0.15
TEMPERATURE		
Compensated Range	°F	+40 to +140
	°C	+5 to +60
Operating Range	°F	-40 to +175
	°C	-40 to +80
Effect on Output – % MAX	°F	±0.2
	°C	±0.005
Effect on Zero – %RO MAX	°F	±0.5
	°C	±0.002
ELECTRICAL		
Rated Output – mV/V (Nominal) ± %		2 +40/-20
Zero Balance – %RO		±2
Bridge Resistance – Ohm (Nominal)		700
Excitation Voltage – VDC MAX		15
Insulation Resistance – Megohm		5000
MECHANICAL		
Calibration		Compression
Safe Overload – %CAP		150
Material		Stainless steel

## OPTIONS

- Cable length
- Custom calibration
- Transducer Electronic Data Sheet (TEDS)
- Standard output
- Add connector to cable
- Special temperature range

## CONNECTOR OPTIONS

- 5 ft (1.5 m) integral cable

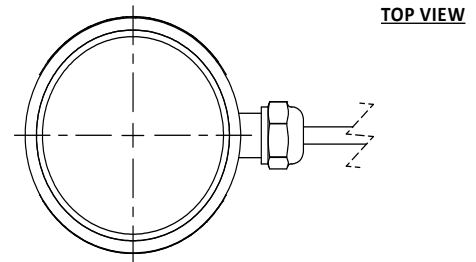
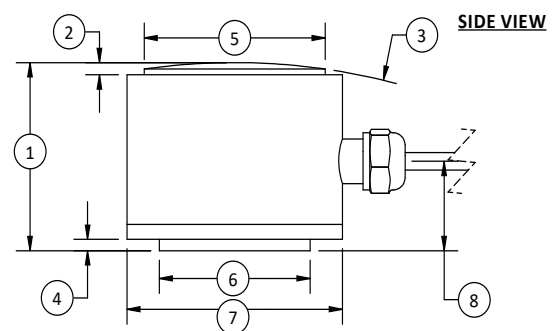
## ACCESSORIES

- Instrumentation

## STANDARD CONFIGURATION



Model MSC (shown)



## DIMENSIONS

See Drawing	CAPACITY	
	U.S. (lbf)	Metric (N)
	15K, 20K, 30K	65K, 90K, 130K
	in	mm
(1)	1.00	25.4
(2)	0.06	1.52
(3)	R 4.0 ±0.5	R 101.6 ±13
(4)	0.06	1.52
(5)	1.05	26.67
(6)	0.875	22.23
(7)	1.25	31.75
(8)	0.5 ±0.1	12.32