

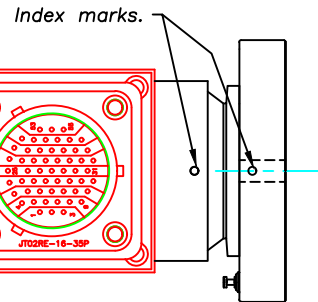
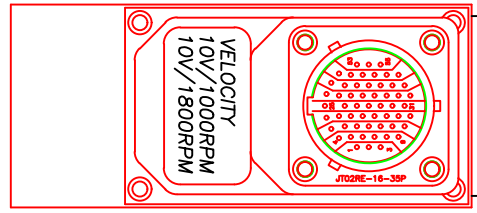
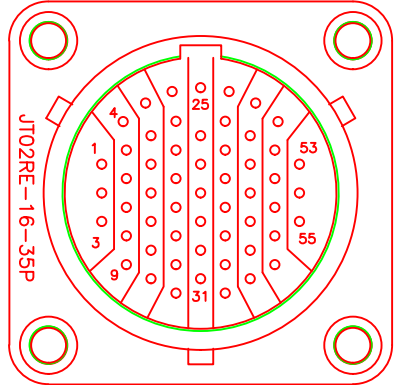
C337077B

For connector dimensions and information about sealing backshells, see the price list.

| DATE | BY | REVISION | LOC. |
|---------|-----|----------------------|------|
| 5-13-10 | KDL | Encoder text updated | |

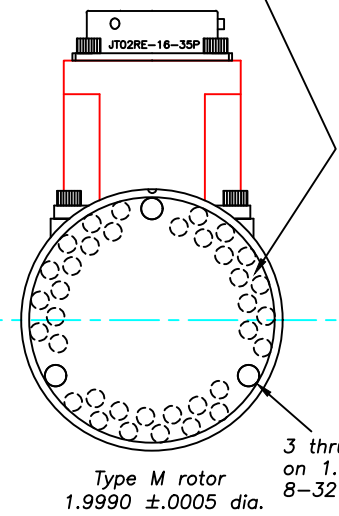
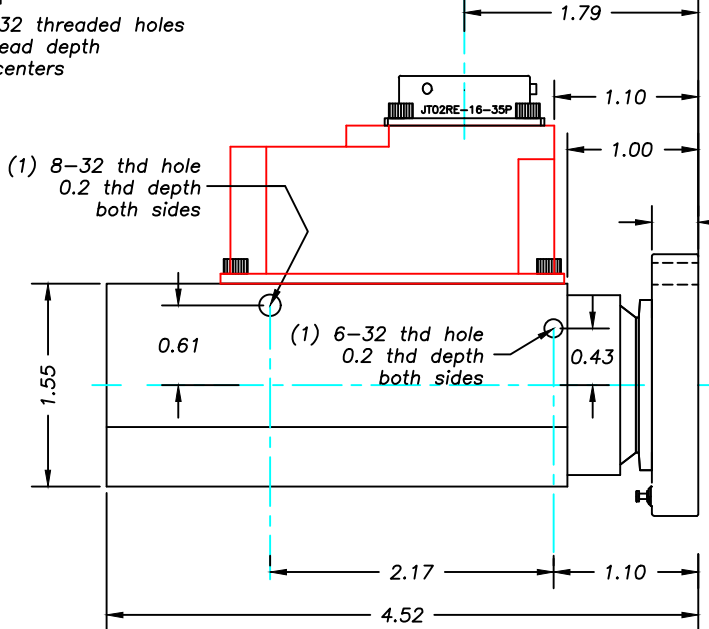
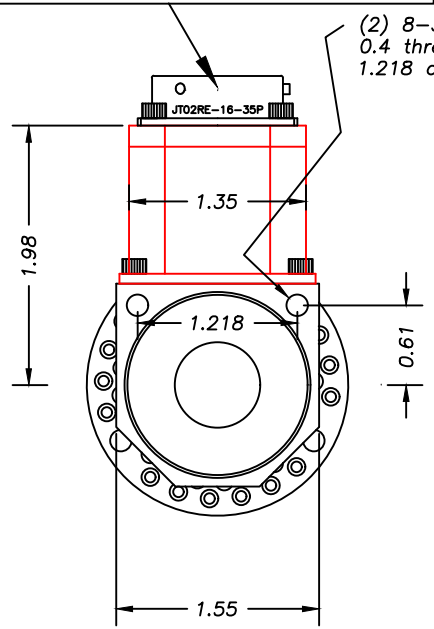
55 contact stator connector
Bendix JTO2RE-16-35P

| Contact | Function |
|----------------|----------------------------------|
| 1 - 36 | 36 slip rings |
| 37 | 37th ring if possible |
| <u>Encoder</u> | |
| 38- 43 | Encoder Ground |
| 44 | Option pin 1 (velocity range) |
| 45 | Option pin 2 (velocity polarity) |
| 46- 47 | Velocity+Position Gnd |
| 48 | Velocity output |
| 49 | Position output |
| 50 | +8 to +18VDC input |
| 51 | Power Ground |
| 52 | Output A |
| 53 | Output B |
| 54 | Output I |
| 55 | Output A ⊕ B |



See drawing C337091B.dwg for WIRING DIAGRAM OF THE 36 SLIP RINGS.

Hidden lines show location of 36 slip ring solder terminals on other side of the rotor. The terminals are not actually visible in this view and only partially visible in the other end view. When exposed to water, seal terminals with Dow Corning 3145 RTV silicone rubber sealant.



The encoder & its' electronics will operate from a +8 to +18Vdc, 200mA power supply. Temperature range of the electronics is -40C to +85C.

SR/ERT series
Model SR36M_/T___/X

Weight 15 oz

36 SLIP RINGS & OPTICAL ENCODER WITH BUILT IN ENCODER ELECTRONICS IN A WEATHERPROOF HOUSING.

MICHIGAN SCIENTIFIC CORPORATION
08500 ANCE ROAD
CHARLEVOIX, MI 49720
PHONE: (231)547-5511 FAX: (231)547-7070

| | | | |
|---|---|---|------------|
| TOLERANCES .xxxx ±.0005 .xxx ±.005 .xx ±.01 ANGLES ±-- SURFACE FINISH ---RMS | DESIGNED BY: KDL DRAWN BY: KDL CHECKED BY: MATERIAL: 36 SLIP RINGS & ENCODER & ENCODER CIRCUIT | DATE: 5-10-05 TITLE: OUTLINE DRAWING SHT OF SHTS: SIZE BH | SCALE: 1:1 |
| DRAWING NO.: C337077B | | | |

W:\SLIPRINGS\SR-SERIES\ERT98\C337077B.dwg, 1/24/2022 10:42:33 AM