

INTERFACE FORCE VERIFICATION FRAME (U.S. & METRIC)

The Interface Force Verification Frame is a portable high force capacity frame and accessories designed to apply tension and compression forces to load cells with high resolution and accuracy. The system features a reaction frame, manual actuator, thread/adaptor accessories, and optional force sensor(s) and instrumentation. The hardware can be used to verify operation of a device under test or calibrate relative to a second reference load cell.

FEATURES & BENEFITS

- Up to 5,000 lbf capacity. 0.006" per turn High Resolution Actuator
- Portable, Lightweight, and Accurate
- Quick Change Thread Adapters with Adjustment

SPECIFICATIONS

Actuation		Manual, High Resolution, 0.006 in (0.15 mm) per turn 1K via Hand Wheel and 2.5K & 5K via Radial Handles
Force Capacity (Tension and Compression Capability)		IFVF-1K ± 1k lbf Hand Wheel Rotation
		IFVF-2.5K ± 2.5k lbf Handle Rotation
		IFVF-5K ± 5k lbf Handle Rotation
Dimensions	in	8.0 x 9.5 x 20.5
	mm	203.2 x 241.3 x 520.7
Weight	lbs	Under 20
	kg	Under 9

OPTIONS

- Custom Sizes, Fixtures, and Materials
- Calibration Grade Load Cells
- Digital Indicators
- Data Logging

ACCESSORIES



Thread Adapters	
Female - Male	
Male - Male	
Female - Female	
Common Adapter Sizes	
U.S.	Metric
6-32, 10-32, 1/4-28, 3/8-24, 1/2-20, 5/8-18	M6, M8, M10, M12
Pre-configured kits with common sizes available	



Post Adapters and Platens	
Post - Male	
Post - Female	
Compression Platens	
Common Adapter Sizes	
U.S.	Metric
6-32, 10-32, 1/4-28, 3/8-24, 1/2-20, 5/8-18	M6, M8, M10, M12
Pre-configured kits with common sizes available	

STANDARD CONFIGURATION

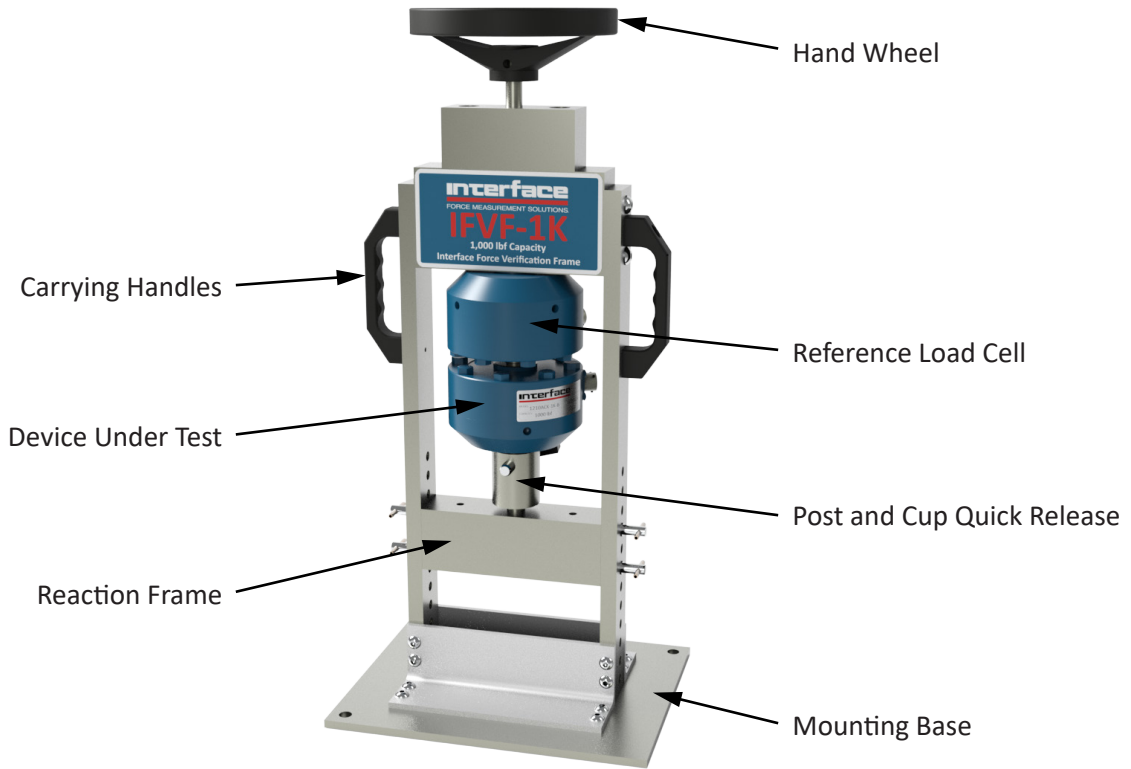


MODELS IFVF-1K & IFVF-2.5K (Shown)



MODEL IFVF-5K (Shown)

INTERFACE FORCE VERIFICATION FRAME (U.S. & METRIC)



± 1000 LBF MODEL IFVF-1K

Reference/Calibration Load Cells



1200 Standard Precision LowProfile® Load Cell



SSM or SSM2 Sealed S-Type Load Cell



WMC Sealed Stainless Steel Miniature Load Cell



SM S-Type Load Cell

Male/Female Thread Adapters



Female to Male



Female to Female



Male to Male

Indicator(s) or DAQ



9320 Battery Powered Portable Load Cell Indicator



9840 Calibration Grade Multi-Channel Load Cell Indicator



SI-USB Universal Serial Bus Dual Channel PC Interface Module

Post Adapters and Platen



Post to Male

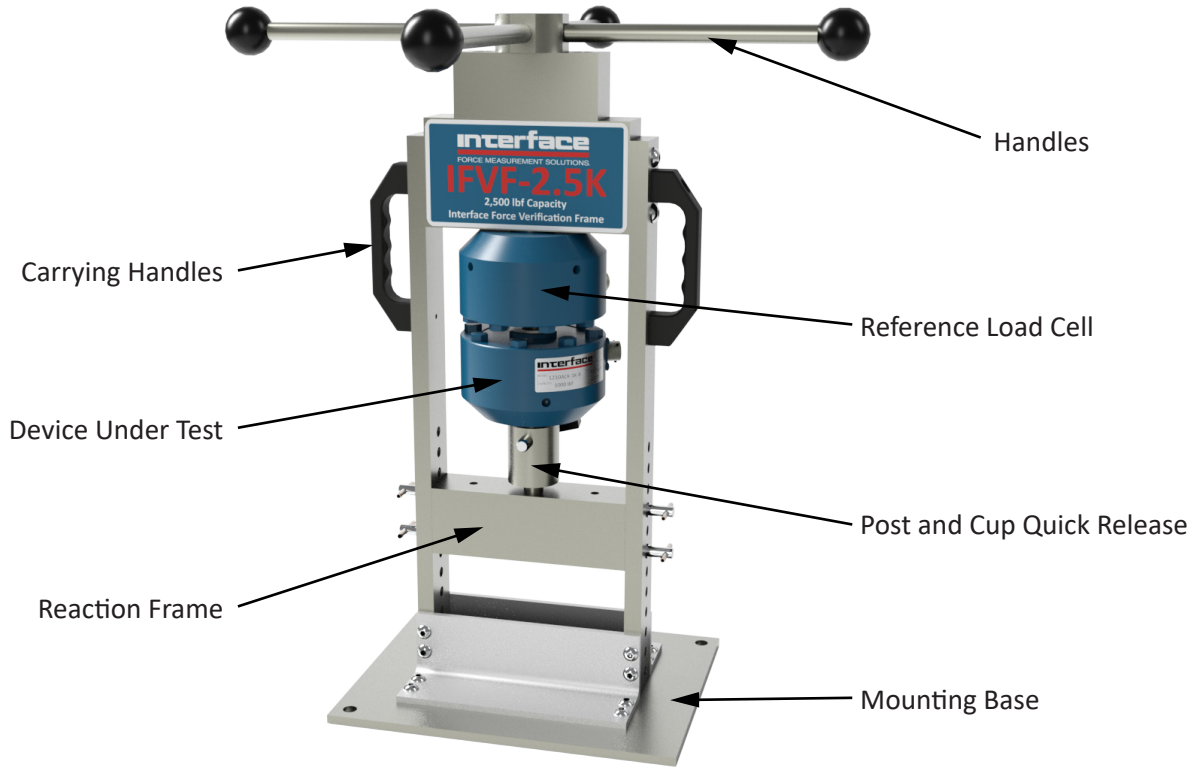


Post to Female



Compression Platen

INTERFACE FORCE VERIFICATION FRAME (U.S. & METRIC)



± 2500 LBF MODEL IFVF-2.5K

Reference/Calibration Load Cells



1200 Standard Precision LowProfile® Load Cell



SSM or SSM2 Sealed S-Type Load Cell



WMC Sealed Stainless Steel Miniature Load Cell



SM S-Type Load Cell

Male/Female Thread Adapters



Female to Male



Female to Female



Male to Male

Indicator(s) or DAQ



9320 Battery Powered Portable Load Cell Indicator



9840 Calibration Grade Multi-Channel Load Cell Indicator



SI-USB Universal Serial Bus Dual Channel PC Interface Module

Post Adapters and Platen



Post to Male

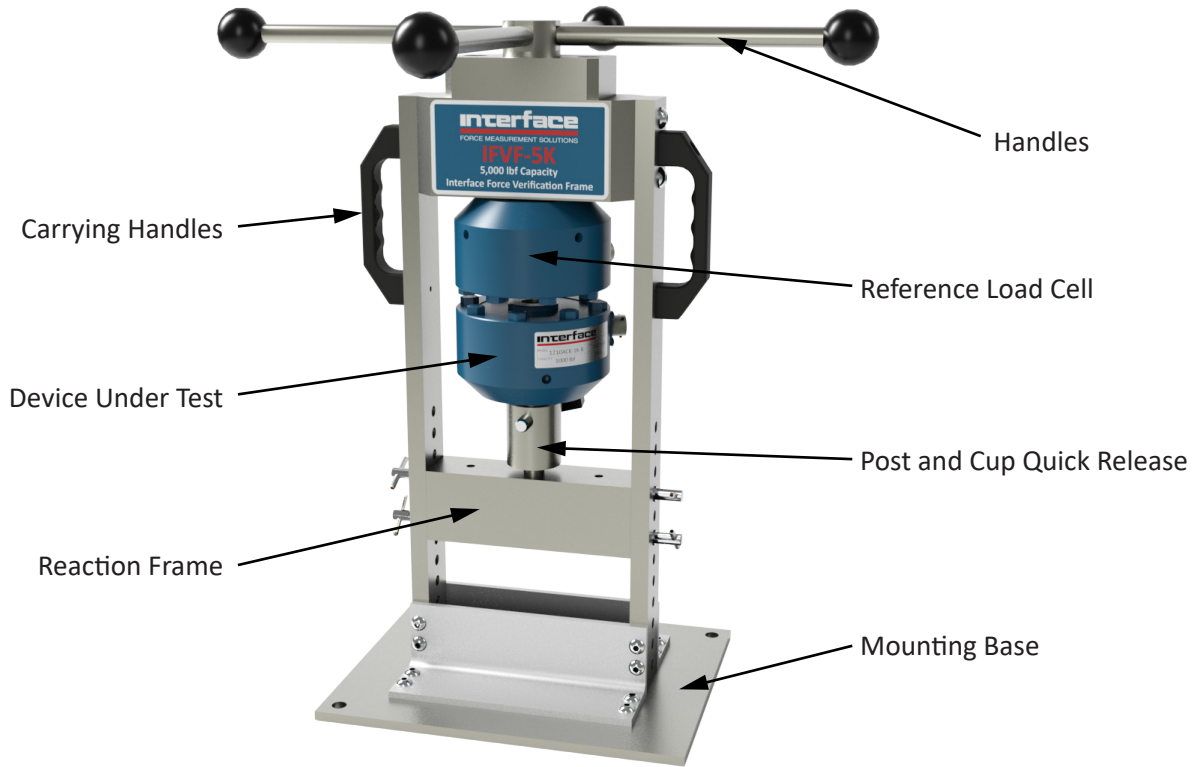


Post to Female



Compression Platen

INTERFACE FORCE VERIFICATION FRAME (U.S. & METRIC)



± 5000 LBF MODEL IFVF-5K

Reference/Calibration Load Cells



1200 Standard Precision LowProfile® Load Cell



SSM or SSM2 Sealed S-Type Load Cell



WMC Sealed Stainless Steel Miniature Load Cell



SM S-Type Load Cell

Male/Female Thread Adapters



Female to Male



Female to Female



Male to Male

Indicator(s) or DAQ



9320 Battery Powered Portable Load Cell Indicator



9840 Calibration Grade Multi-Channel Load Cell Indicator



SI-USB Universal Serial Bus Dual Channel PC Interface Module

Post Adapters and Platen



Post to Male



Post to Female

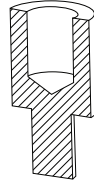


Compression Platen

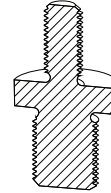
INTERFACE FORCE VERIFICATION FRAME (U.S. & METRIC)

ACCESSORIES

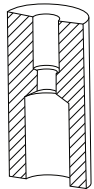
Female-Male	
Model Number	Thread (F,M)
FM-10	5/8-18, 6-32
FM-11	5/8-18, 10-32
FM-12	5/8-18, 1/4-28
FM-13	5/8-18, 3/8-24
FM-14	5/8-18, 1/2-20
FM-15	5/8-18, 5/8-18
FM-16	5/8-18, M4x0.7
FM-17	5/8-18, M5x0.8
FM-18	5/8-18, M6x1.0
FM-19	5/8-18, M8x1.25
FM-20	5/8-18, M10x1.5
FM-21	5/8-18, M12x1.75



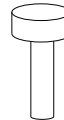
Male-Male	
Model Number	Thread (M,M)
MM-10	5/8-18, 6-32
MM-11	5/8-18, 10-32
MM-12	5/8-18, 1/4-28
MM-13	5/8-18, 3/8-24
MM-14	5/8-18, 1/2-20
MM-15	5/8-18, 5/8-18
MM-16	5/8-18, M4x0.7
MM-17	5/8-18, M5x0.8
MM-18	5/8-18, M6x1.0
MM-19	5/8-18, M8x1.25
MM-20	5/8-18, M10x1.5
MM-21	5/8-18, M12x1.75



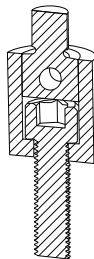
Female-Female	
Model Number	Thread (F,F)
FF-10	5/8-18, 6-32
FF-11	5/8-18, 10-32
FF-12	5/8-18, 1/4-28
FF-13	5/8-18, 3/8-24
FF-14	5/8-18, 1/2-20
FF-15	5/8-18, 5/8-18
FF-16	5/8-18, M4x0.7
FF-17	5/8-18, M5x0.8
FF-18	5/8-18, M6x1.0
FF-19	5/8-18, M8x1.25
FF-20	5/8-18, M10x1.5
FF-21	5/8-18, M12x1.75



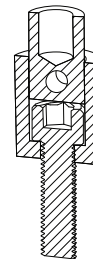
Compression Platen	
Model Number	Thread M, Diameter
CP-10	5/8-18, 1.0"
CP-11	5/8-18, 1.5"
CP-12	5/8-18, 2.0"



Post-Male	
Model Number*	Thread (F,M)
PM-10	6-32
PM-11	10-32
PM-12	1/4-28
PM-13	3/8-24
PM-14	1/2-20
PM-15	5/8-18
PM-16	M4x0.7
PM-17	M5x0.8
PM-18	M6x1.0
PM-19	M8x1.25
PM-20	M10x1.5
PM-21	M12x1.75



Post-Female	
Model Number*	Thread (F,M)
PF-10	6-32
PF-11	10-32
PF-12	1/4-28
PF-13	3/8-24
PF-14	1/2-20
PF-15	5/8-18
PF-16	M4x0.7
PF-17	M5x0.8
PF-18	M6x1.0
PF-19	M8x1.25
PF-20	M10x1.5
PF-21	M12x1.75



* Cup and screw included with base system

* Cup and screw included with base system