



## General Description

SCA131A is a digital type dual-axis tilt switch who integrates import control core unit , and based on level security alarm and platform leveling detection related industries application , using the transistor output circuit . Users can set alarm angle value by themselves, it will output the switch signal (output voltage = supply voltage) when exceeds the safety angle value, the drive solenoid valve will cut off the hydraulic system, also can drive the buzzer and warning lights, automatically warn the worker to operate safely .The products are mainly used to control a variety of construction machinery or equipment platform leveling, real-time automatic monitoring on platform tilt in four directions left, right , front and back status . This product with design precision, again to compensate the temperature and linearity, integrated short-circuit, high-voltage transient, polarity and surge etc. full protection functions, suitable for a variety of harsh industrial environments operating. Using the industrial grade MCU, three-anti PCB, import cable, wide temperature metal enclosure and other measures etc. to improve the industry level on products reliability and stability.

## Features:

- Dual-axis tilt switch
- Accuracy: please refer to the technical data
- RS232 series output
- Switch output (high-low level)
- Resolution : 0.01°
- Wide temperature working: -40~+85°C
- IP67 protection class
- Highly anti-vibration performance >2000g
- Direct lead cable interface
- Customer can set alarm angle value by himself
- With Setting 0° function
- Positive/negative direction output is optional
- DC 9~36V wide voltage input

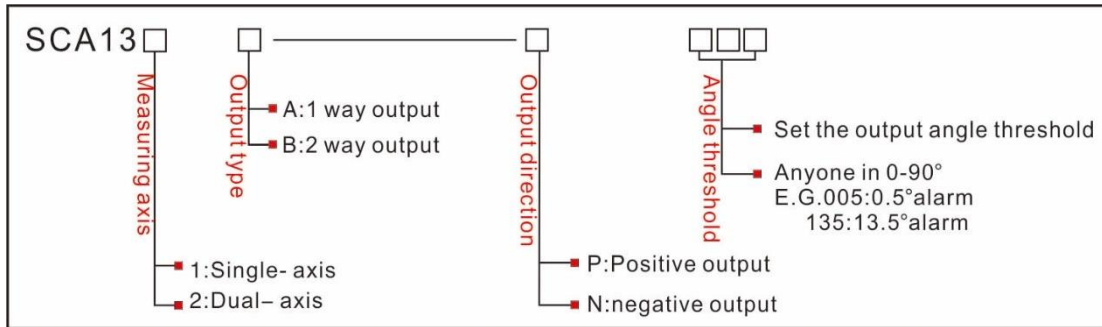
## Application:

- Engineering mechanical vehicles
- Rail-mobile monitoring
- Various engineering mechanical measurement of dip angle
- oil-well drilling equipment
- Radar detection of vehicle platform
- Underground drill posture navigation
- Gun Barrel angle measurement in early shooting
- Based on the angle direction measurement
- Satellite communications vehicle posture detection
- Shield pipe jacking application
- Ship's navigation posture measurement
- Geological equipment inclined monitoring
- The intelligent excavator / crane / cranes / pile driver / drill machine / special vehicles / mine car / track car / fire truck / aerial vehicles / bridge machine

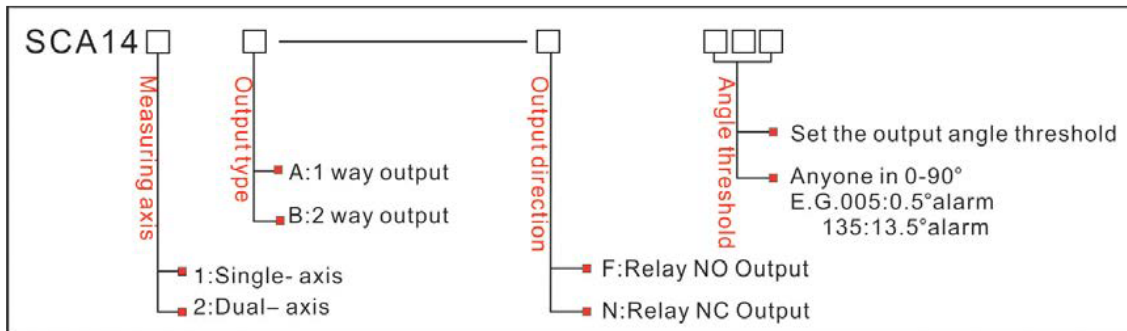


**Ordering information:**

Version sortie Commutation



Version sortie Relais



E.g: SCA131A-P005: Single-axis/1 way/ positive direction output /0.5deg alarm

Note: 1) Different models with different color line function definition, please refer to ordering Information description before ordering ;

2) The factory default alarm threshold:  $\pm 2^\circ$  (also can be customized according to customer requests), refer to the ordering information;

3) The positive ,negative direction explanation : (positive direction) usually state normally closed, exceed the alarm threshold becomes normally open;

(negative direction) usually the state normally open, exceeding the alarm threshold becomes normally closed;

### Spécifications:

Paramètre	Valeur	Unité
Measuring rang	±15	°
Measuring axis	X,Y	
Resolution	0.01	°
Absolute accuracy	0.05	°
Long term stability	0.05	
Zero temperature coefficient	-40~85° ±0.006	°/°C
Sensitivity temperature coefficient	-40~85° ≤100	ppm/°C
Power on time	0.1	s
Response time	0.2	s
EMC	According to EN61000 and GBT17626	
MTBF	≥50000 hours/times	
Insulation Resistance	≥100M	
Shockproof	100g@11ms、3Times/Axis(half sinusoid)	
Anti-vibration	10grms、10~1000Hz	
Protection glass	IP67	
Cables	Standard 1M length、wearproof、grease proofing、wide temperature、Shielded cables 4*0.4mm2	
Weight	120g(without cable)	

### Electronic Characteristics

Paramètre	Condition	Min	Standard	Max	Unité
Power supply	Standard	9	12、24	36	V
Alarm output current				500	mA
Working current	No-load		40		mA
Working temperature		-40		+85	°C
Store temperature		-55		+125	°C

### Key words:

**Resolution:** Refers to the sensor in measuring range to detect and identify the smallest changed value.

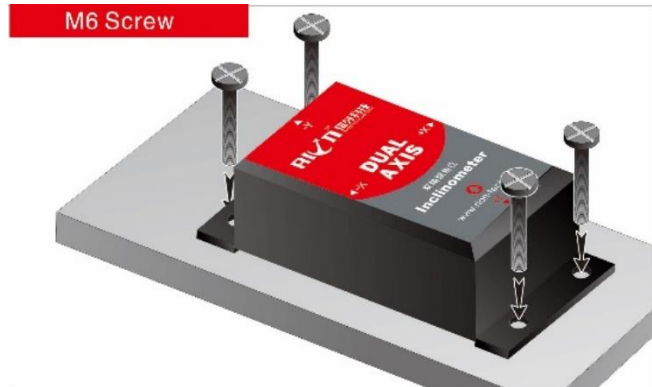
**Absolute accuracy:** Refers to in the normal temperature circumstances,the sensor absolute linearity, repeatability, hysteresis, zero deviation, and transverse error comprehensive error.

**Long term stability :** Refers to the sensors in normal temperature conditions, the deviation between the maximum and minimum values after a year's long time work.

**Response time:** Refers to the sensor in an angle change, the sensor output value reached the standard time required.

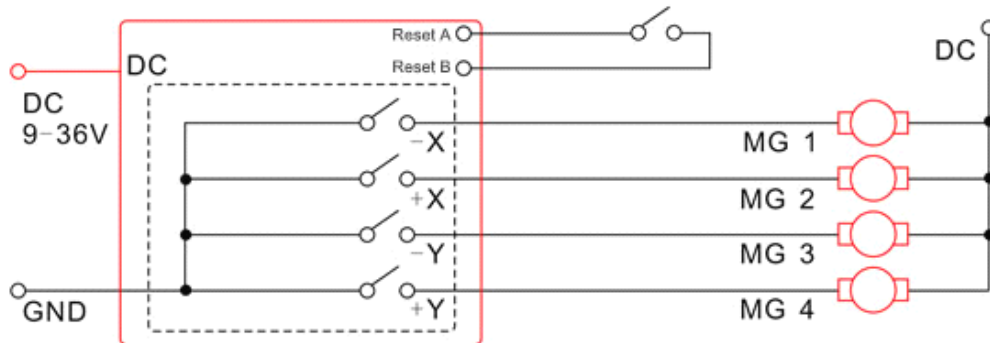
### Mechanical Parameters

- Connectors: 1m lead cable (Length can be customized)
- Protection glass: IP67
- Enclosure material : Aluminum Oxide
- Installation : 4\*M6 screws

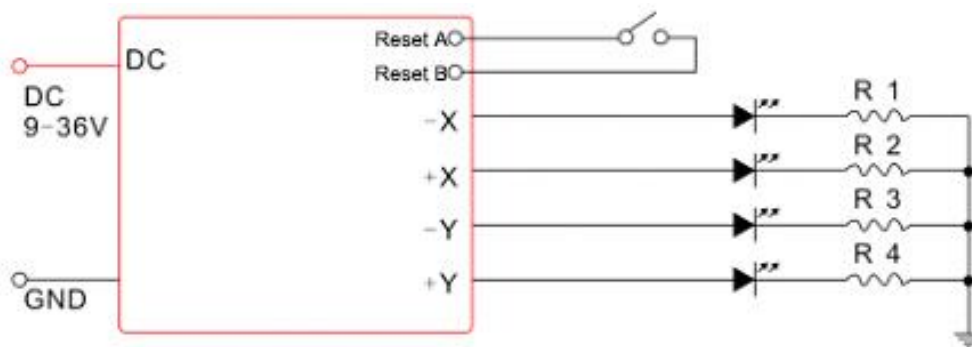


### Câblage

#### Version Commutation



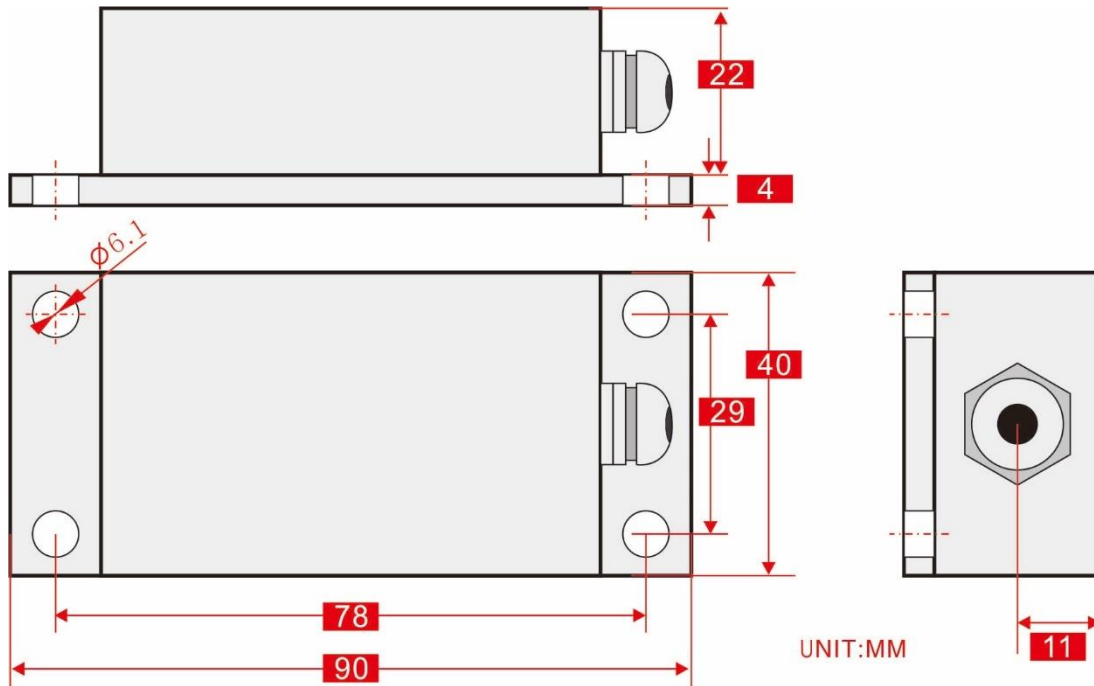
#### Version Relais



Above figure is the working principle diagram of the dual-axis with 4 ways output switch, the output is high-low level signal, in this figure, when the tilt reaches the preset value of the positive X direction, -X-side output high-low level, R1 is lit, when the tilt reaches the preset value of +x in the reverse direction, R2 is lit, R3, R4 with same rule.

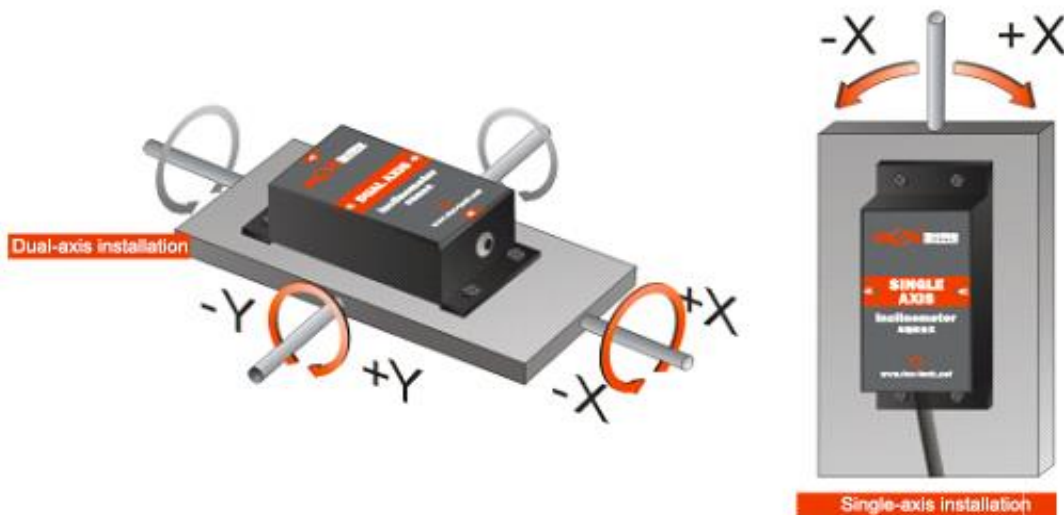
Note: Logic level output type sensor, which port drive capacity is limited so it can not drive a big load, if the device less than 500mA power then the switch can directly drive, if over 500mA then can connect to motors, solenoids, relays, etc.for drive ,if need set the relative angle , For setting the relative angle, short circuit the clearing A line with clearing B line in two seconds.

**Dimension:**



**Measuring Directions & Installation**

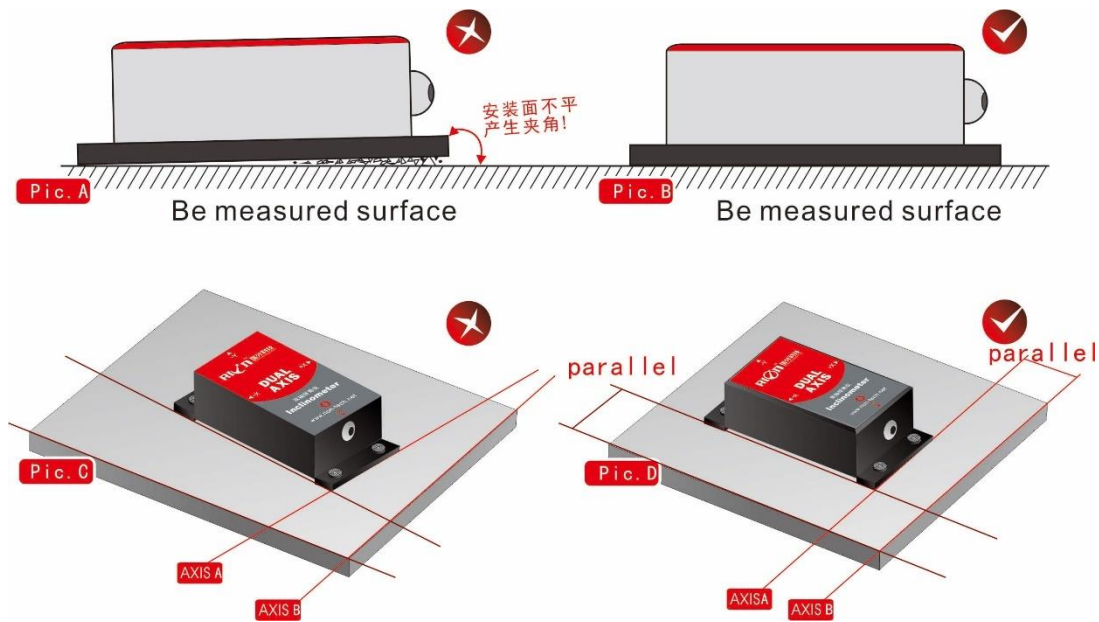
The installation must guarantee the product bottom is parallel to measured face, and reduce the influence of dynamic and acceleration to the sensor. This product can be installed horizontally or mounted vertically (mounted vertically selection is only applicable to the single axis, and only can do relative measurement, if absolute measurement the level reference will occur error), for installation please refer to the following scheme.



**Production installation notes:**

Please follow the correct way to install tilt sensor, incorrect installation can cause measurement errors, with particular attention to the "surface", "line":: 1) The Sensor mounting surface and the measured surface must be fixed closely, smoothly, stability,if mounting surface uneven likely to cause the sensor to measure the angle error. See Figure Pic.AB

2) The sensor axis and the measured axis must be parallel ,the two axes do not produce the angle as much as possible. See Figure Pic.CD



**Electrical Connection**

**Version commutation**

Color definition	Single axis with 1 way output	Single axis with 2 ways output	Dual axis with 1 way output	Dual axis with 2 ways output
Red	Power positive	Power positive	Power positive	Power positive
Black	GND	GND	GND	GND
Green	Zero clearing	Zero clearing	Zero clearing	Zero clearing
Brown	/	/	/	/
Orange	RXD	RXD	RXD	RXD
White	TXD	TXD	TXD	TXD
Yellow	+X Alarm	+ X Alarm	+X+ Y Alarm	X Alarm
Blue	-X Alarm	-X Alarm	-X-Y Alarm	Y Alarm

Version Relais

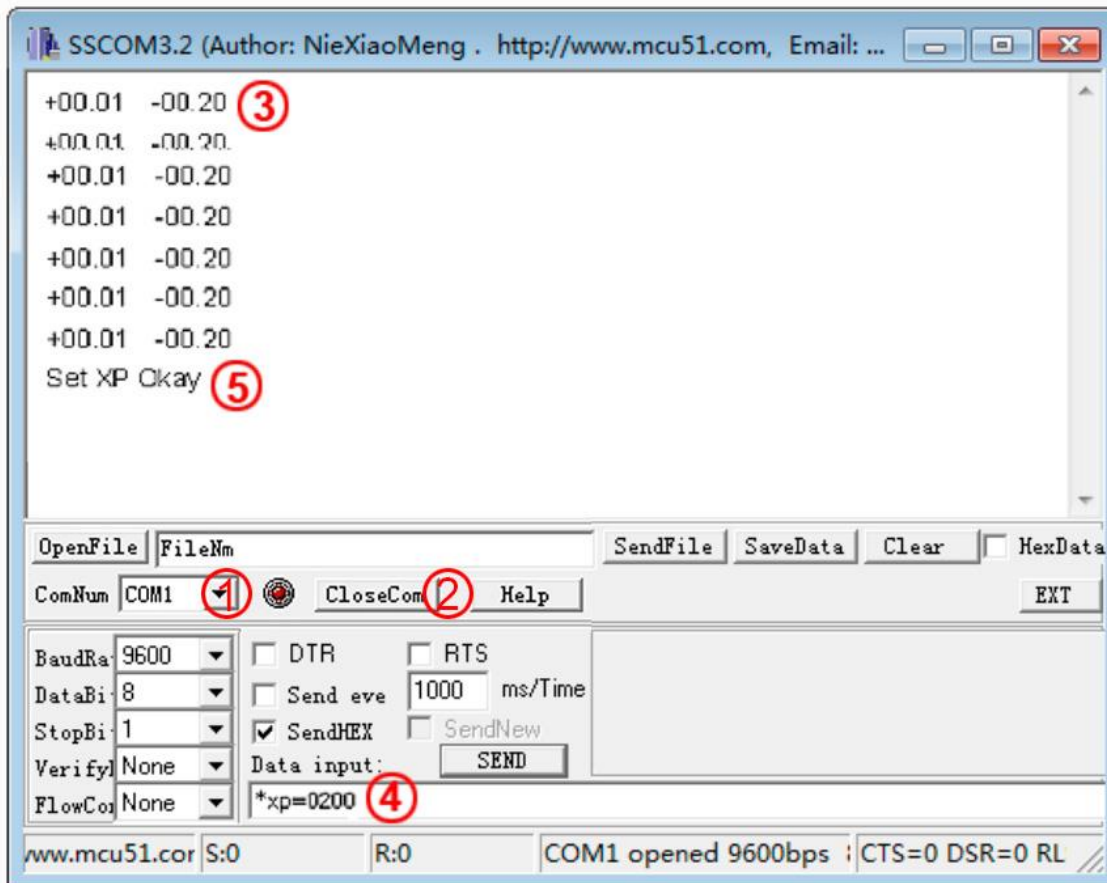
Color definition	Single axis with 1 way output	Single axis with 2 ways output	Dual axis with 1 way output	Dual axis with 2 ways output
<b>Red</b>	Power positive	Power positive	Power positive	Power positive
<b>Black</b>	GND Zero clearing A	GND	GND Zero clearing A	GND Zero clearing A
<b>Green</b>	Zero clearing B	Zero clearing A /RXD	Zero clearing B	Zero clearing B
<b>Orange</b>	RXD	+X alarm	RXD	-Y alarm
<b>Purple</b>	TXD	+ X common terminal	TXD	+Y alarm
<b>Yellow</b>	X Axis normal close	- X Alarm	X Y Axis normal close	+X Alarm
<b>Blue</b>	X axis normal open	-X Common Terminal	X Y Axis normal open	-X Alarm
<b>Brown</b>	Common Terminal	Zero clearing B/TXD	Common Terminal	Common Terminal

**Note:**

- 1) RXD and TXD two lines can be used to connect to the computer, through the software to set the alarm threshold. (-X, + X,-Y, + Y) can be set different threshold;
- 2) Dual axis with 2 ways output without setting alarm threshold function;
- 3) Connected to the computer to set the alarm value ,RXD and TXD connection please refer to the following figure:
- 4) If you are using a laptop debugging you also need a RS232 to USB module, if the PC can be directly connected communication with the computer COM port.

## Product debugging software

If you want to change the alarm thresholds, can communicate with computer and use the serial debugging assistant software to change .



### Debug process:

- 1) Open software;
- 2) Select the corresponding COM port, refer to 2".
- 3) Other settings are default setting , no need to set. "
- 4) Click to open the serial port button, refer to 2 "
- 5) This data will display in the return data area, refer to 3"
- 6) If you want to set the alarm threshold, please input setting alarm threshold command in input area, refer to 4" . ( For command please refer to the specification of communication protocol .)
- 7) When the return data area display " command +Okay" proved successful setting. Refer to 5"

### Common problem analysis of connection failure:

- A ) Check power: check positive & negative, whether it is DC?
- B ) Exchange RXD and TXD two data lines re-debugging;
- C ) COM occupancy, close other COM port testing device;
- D ) The black line no connection with the fifth pin of COM port.
- E ) If use RS232 converter, please check if the converter can work properly, whether the driver is installed;
- F ) Please use multimeter to measure the sensor current, if lower than 20mA or bigger than 60mA can judge



the sensor was damaged.

### Communication protocol

一、DATA FRAME FORMAT: ((8 bits data, 1 bit stop, No check, Default baud rate 9600)

#### Angle output format (ASCII code)

A set of output data from a total of 18 bytes:

Byte1: X	Byte10: Y
Byte2: +/-	Byte11: +/-
Byte3: X	The tens column of axis angle value
Byte4: X	The single digit of axis angle value
Byte5: decimal point “.”	Byte14: decimal point “.”
Byte6: X	The decile of axis angle value
Byte7: X	The percentiles of axis angle value
Byte8: blank space (0x20)	Byte17: Enter (0x0D)
Byte9: blank space (0x20)	Byte18: Line feed (0x0A)

Format as following:

ITEM	SIGNED	DATA	SPACE	SPACE	ITEM	SIGNED	DATA	ENTER	NEWLINE
X	+/-	** **	Blank space	Blank space	Y	+/-	** **	Enter	Line feed

*E.g: the current X axis angle is +01.50deg, Y axis - 01.00 deg, then display X+01.50; Y-01.00*

Note: If the user set the relative zero when power on last time, then power on this time, the system will output: “relative angle measure!”

#### 二： The relative setting command ( the following command case-sensitive )

Command	Description
&Z	The current position is relative ZERO, related data will be stored in EEPROM, and carry out relative angle output , after accepting command then output :“set relative zero” .
&R	The absolute angle output , after accepting command then output: “absolute zero”.
*xp=????	Setting positive half axis of X axis to be alarm point,“????” is angle value, optional value from “0001—1000”. The default is 0150。 After accepting command then output: “SetxP
*xn=????	*xn=????— Setting negative half axis of X axis to be alarm point,“????” is angle value, optional value from “0001—1000”。 The default is 0150。 After accepting command then output: “SetxN OK!”
*yp=????	*yp=????—Setting positive half axis of Y axis to be alarm point,“????” is angle value, optional value from “0001—1000”。 The default is 0150。 After accepting command then output: “SetyP OK!”
*yn=????	*yn=????—Setting negative half axis of Y axis to be alarm point, “????” is angle value, optional value from “0001—1000”。 The default is 0150。 After accepting command then output: “SetyN OK!”

Short-circuit the green line and brown line for 2 seconds then open , to set the current angle to be relative ZERO, this function same as “&Z” command , the difference is after using this method to set the ZERO point successfully, there will be approximately 1 second alarm signal output, while “& Z” command without this indication.(Don’t use the function please keep the green line disposed of properly , to avoid short-circuit with other lines .)

