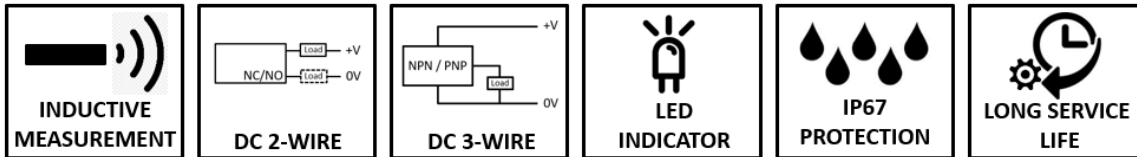


IPS 100 Series

Capteur inductif - 0-2 à 0-15 mm



- Non-contact detection of ferrous metal objects by inductive principle
- $\varnothing 8$, $\varnothing 12$, $\varnothing 18$ or $\varnothing 30$ mm models
- DC 2-wire or 3-wire
- Non-flush
- High sensivity, fast feedback
- LED status indicator
- IP67 protection class
- Long service life

IPS series inductive proximity sensors are used to detect ferrous metal objects. These sensors basically contain oscillators for sensing. A magnetic field is created in front of the oscillator windings. When a metal object enters this magnetic field, the oscillations stop and detection takes place. Thus, the output is driven and NO (normally) or NC (normally closed) output signal is generated depending on the sensor type.

APPLICATIONS

In the automation industry;

- Position monitoring of machine parts
- Counting metal objects

TECHNICAL FEATURES

Model (Non-flush Type)		IPS 108 Ø8	IPS 112 Ø12	IPS 118 Ø18	IPS 130 Ø30
Sensing and Setting Distance	Sensing Distance (Sd)	0 ... 2 mm	0 ... 4 mm	0 ... 8 mm	0 ... 15 mm
	Setting Distance	0 ... 1.4 mm	0 ... 2.8 mm	0 ... 5.6 mm	0 ... 11 mm
Standard Sensing Target		8x8x1	12x12x1	25x25x1	45x45x1
Sensing Object		Ferrous metal			
Hysteresis		10% of Sensing distance (Sd) max.			
Supply Voltage		10...30 VDC (reverse polarity protection)			
Current Consumption	3-wire (PNP/NPN)	≤15 mA			
Leakage current, open state	2-wire	≤1 mA			
Switching capacity	3-wire	≤200 mA with overload and short-circuit protection			
	2-wire	1.5 ... 200 mA with overload and short-circuit protection			
Voltage drop, closed state	3-wire	≤1,5 V			
	2-wire	≤3,5 V			
Internal Pull Up / Pull-Down Resistance	3-wire	22K			
Response Frequency ⁽¹⁾	3-wire	2 kHz			
	2-wire	1 kHz			
First-up delay	3-wire	20 ms			
	2-wire	20 ms			
Electrical Connection		3 x 0.14mm ² PVC cable (Ø4,5 ± 0,10 mm) or M12 connector			
Status Indicator	If there is a target	Blue			
	If there is no target	Yellow			
Protection		IP67			
Operating Temperature		-20...+70°C			
Storage Temperature		-30...+70°C			
Material	Case	Nickel plated brass			
	Cable	PVC			

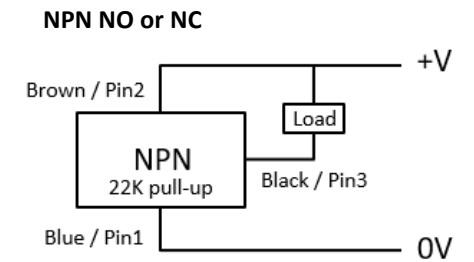
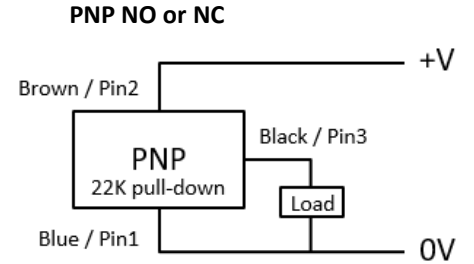
(1) The response frequency specified here is the average value. The standard detection target is used and the width is set to 2 times the standard detection target, and the distance is 1/2 of the detection distance.

ELECTRICAL CONNECTION AND OUTPUT DIAGRAM

3-WIRE

SIGNAL	M12 4 PIN MALE CONNECTOR	CABLE COLOR
0V	1	Blue
+V	2	Brown
Control Output	3	Black
N/C	4	N/C

		NO (Normally Open)	NC (Normally Closed)
Sensing Target	Presence		
	Nothing		
Load Current	Presence		
	Nothing		
Output Voltage	NPN Output	H L	H L
	PNP Output	H L	H L
Status Indicator (Blue)	ON OFF		
Status Indicator (Yellow)	ON OFF		

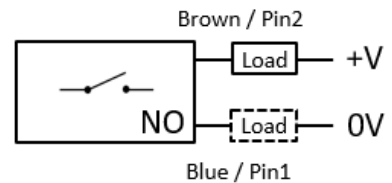


2-WIRE

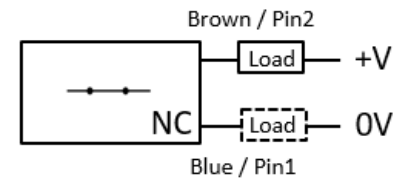
SIGNAL	M12 4 PIN MALE CONNECTOR	CABLE COLOR
0V	1	Blue
+V	2	Brown
N/C	3	N/C
N/C	4	N/C

		NO (Normally Open)	NC (Normally Closed)
Sensing Target	Presence		
	Nothing		
Load	Presence		
	Nothing		
Status Indicator (Red)	ON OFF		

2 WIRE - NO



2 WIRE - NC

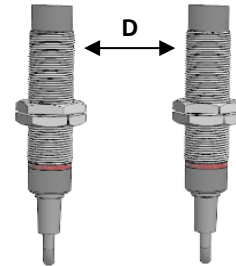
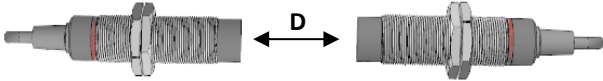


*The load can be connected to any direction.

MOUNTING

Mutual-Interference

When multiple proximity sensors are mounted close together, it may cause malfunction due to mutual interference. Therefore, attention should be paid to the mounting of the sensors in accordance with the minimum distances specified in the tables below.

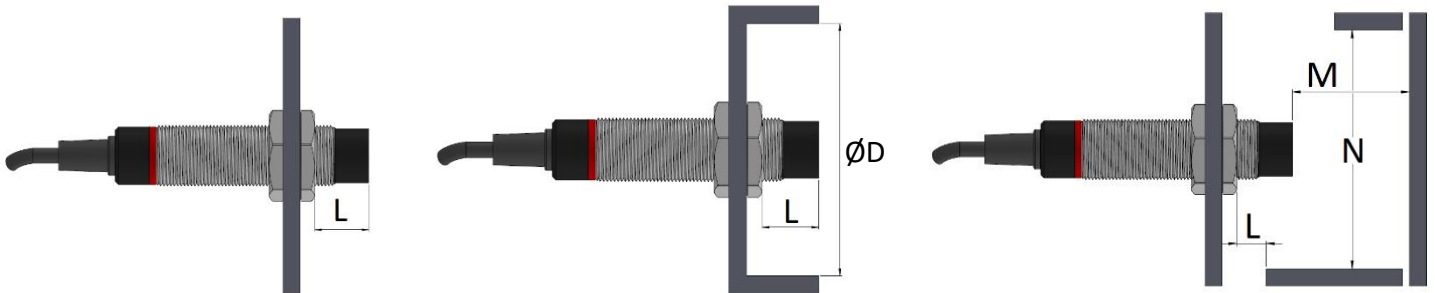


Face to Face Mounting (mm)	
Non-flush	
Ø8	$D \geq 12$
Ø12	$D \geq 24$
Ø18	$D \geq 48$
Ø30	$D \geq 90$

Parallel Mounting (mm)	
Non-flush	
Ø8	$D \geq 24$
Ø12	$D \geq 36$
Ø18	$D \geq 54$
Ø30	$D \geq 90$

Influence By Surrounding Metals

When sensors are mounted on a metal panel, the sensor must be prevented from being affected by any metal object other than the target. Therefore, attention should be paid to the mounting of the sensors in accordance with the minimum distances specified in the tables below.

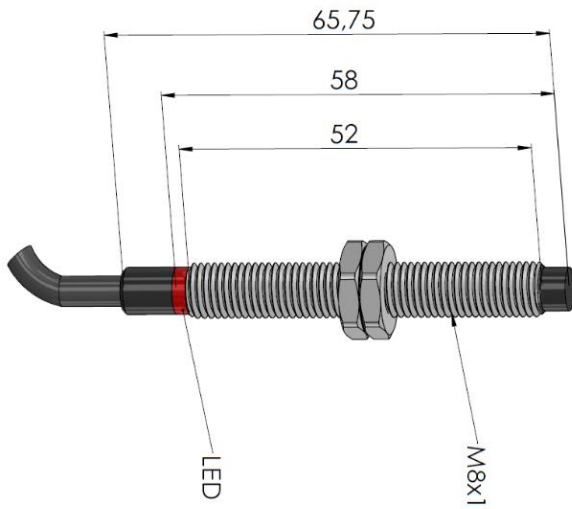


Mounting against metal objects (mm)				
	$L \geq$	$\text{Ø}D \geq$	$M \geq$	$N \geq$
Ø8	8	24	6	24
Ø12	11	36	12	36
Ø18	14	54	24	54
Ø30	15	90	45	90

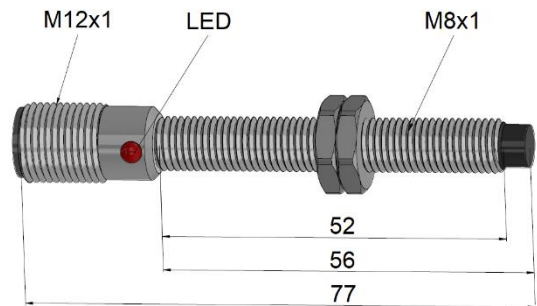
DIMENSIONS (mm)

Ø8

-With Cable-

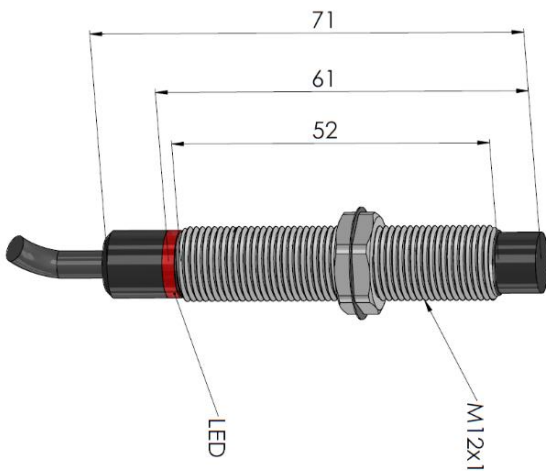


-With M12 Connector-

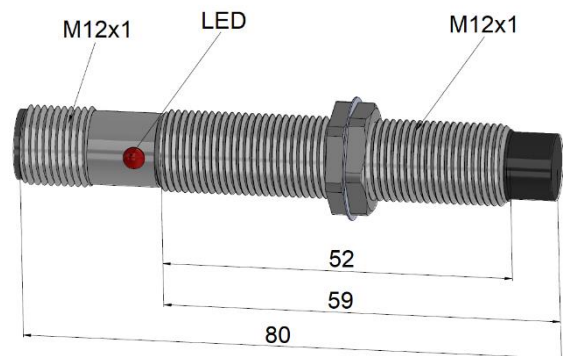


Ø12

-With Cable-

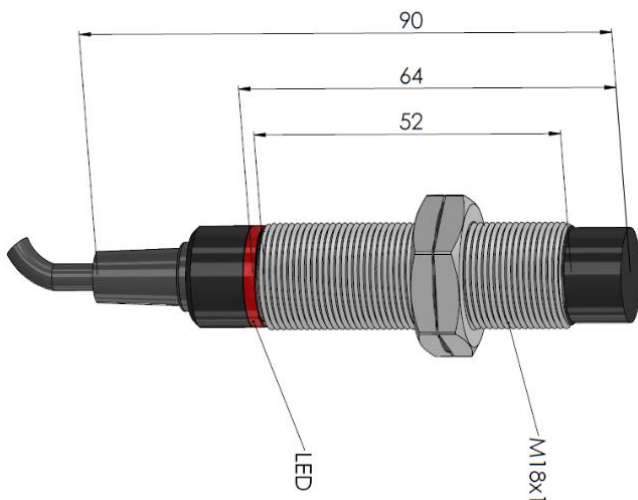


-With M12 Connector-

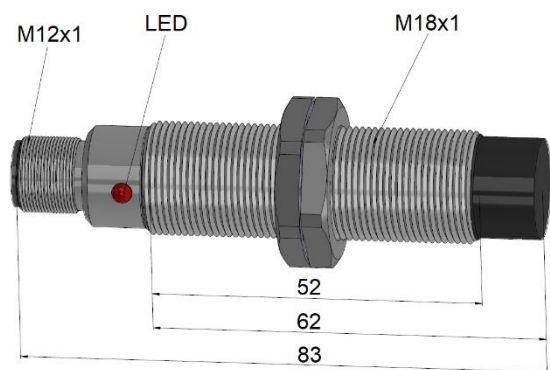


Ø18

-With Cable-

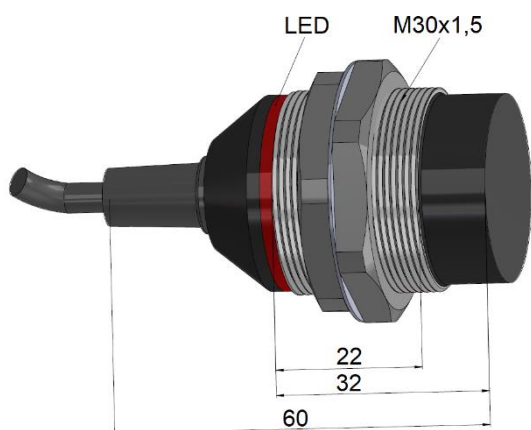


-With M12 Connector-

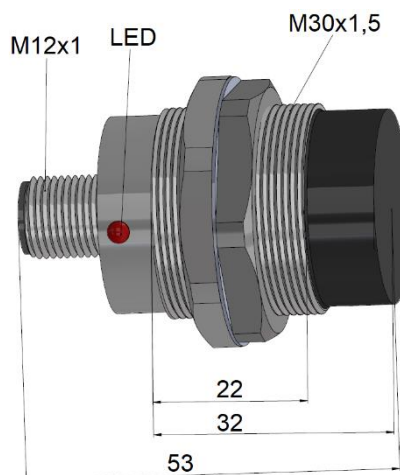


Ø30

-With Cable-



-With M12 Connector-



ORDER CODE

Model

- 108 : Ø8 mm
- 112 : Ø12 mm
- 118 : Ø18 mm
- 130 : Ø30 mm

Switching Function

- NC : Normally Closed
- NO : Normally Open

Electrical Connection

- 2M : 2m cable (standard)
- S12 : M12/4 pin male conn.
- *Optional others

IPS 1XX	-	XXX	-	XX	-	XX	-	XX
<p>Output / Conn. type</p> <p>2W : DC 2-wire PNP : DC 3-wire PNP NPN : DC 3-wire NPN</p>				<p>Mounting Type</p> <p>NF : Non-Flush</p>				